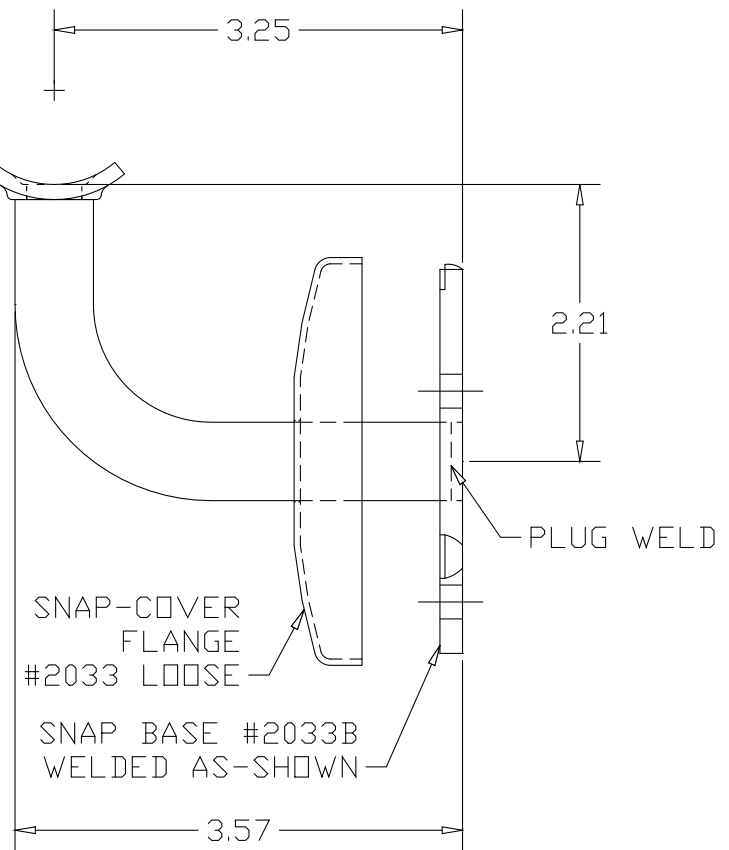
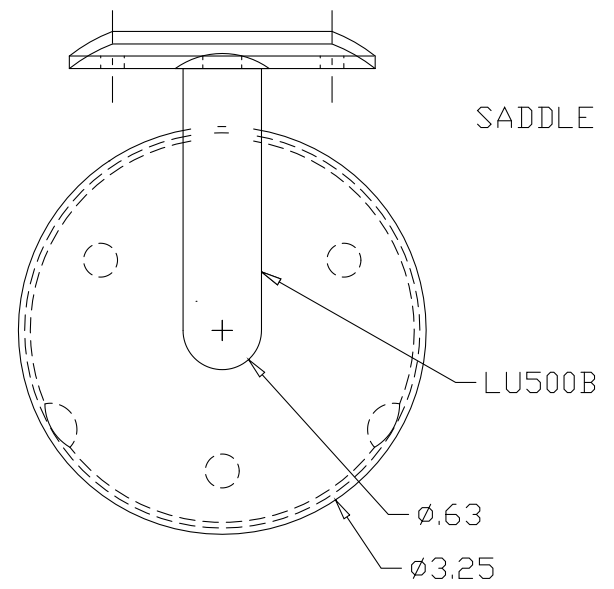
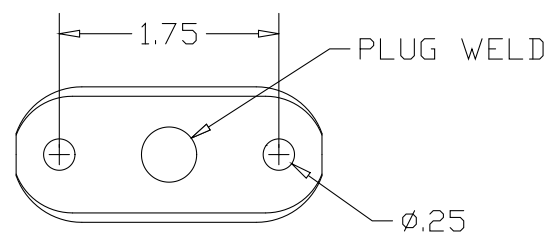



REVISIONS			
REV	DESCRIPTION	DATE	APPROVED



PART NAME HANDRAIL BRACKET FOR UNLIT PIPE HANDRAIL			
MATERIAL 304 STAINLESS STEEL			
DATE	02/27/07		THE WAGNER COMPANIES R & B WAGNER, INC. AND J. G. BRAUN CO.
DRAWN BY	RJF		
FINISH	#4 SATIN	SIZE	A
		WEIGHT	
		PART NUMBER	LU206
		REV	