

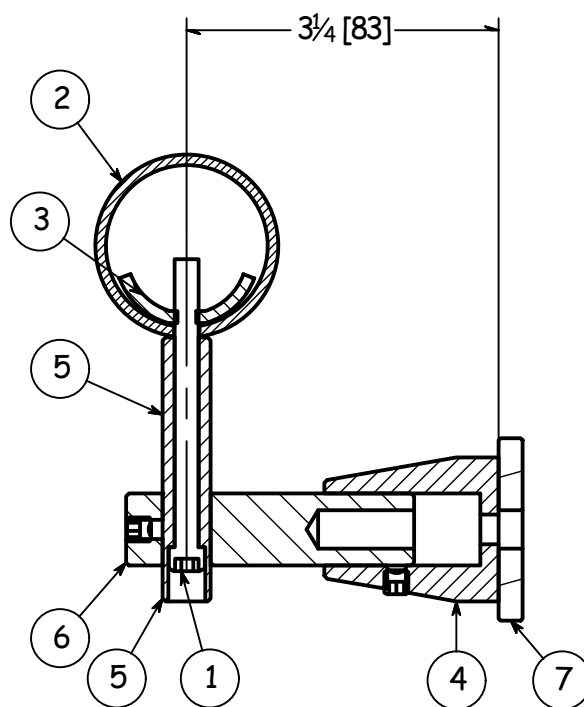
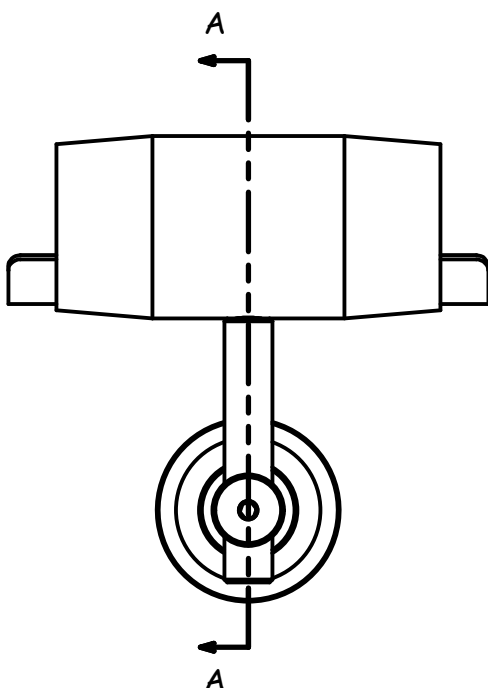
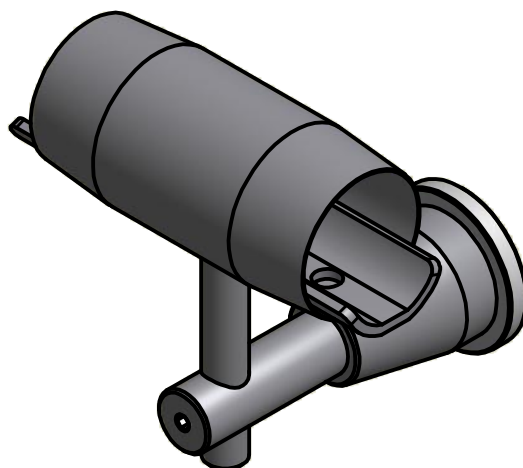
2




1

PARTS LIST

ITEM	QTY	PART NUMBER	DESCRIPTION
1	1	SHC3N2520-0300	SCREW SS 1/4-20 X 3.00 SOCKET HEAD
2	1	WR3166SFB	BRACKET SLIP FIT BARREL BRACKET MOUNT
3	1	WR3166SFC	BRACKET SLIP STRIP CLAMP BRACKET MOUNT
4	1	GR3166SFHUB	BRACKET SLIP FIT HUB SS
5	1	WR3166SFVARM	BRACKET SLIP FIT VERTICAL POST SS
6	1	WR3166SFHARM	BRACKET SLIP FIT HORIZONTAL POST SS
7	1	WR3900D	HANDRAIL, BRACKET WALL MOUNT DISK, 1.9 in
8	2	SAP3N2520-0025	SCREW SS 1/4-20 X .25 SKT HEAD SET SCREW



SECTION A-A

CUT LENGTH:		DESCRIPTION: BRACKET ASSEMBLY SLIP FIT WALL MOUNT	
DEVELOPED LENGTH:		MATERIAL:	MATERIAL DESC:
TOOL NUMBER:		DATE: 7/28/2010	 THE WAGNER COMPANIES R & B WAGNER, INC. AND J. G. BRAUN CO.
		DRAWN BY: rkneprath	
		FINISH: #4 SATIN	SIZE: A
			WEIGHT: N/A
			PART NUMBER: WR3166SFW
			REV: 1

2



1