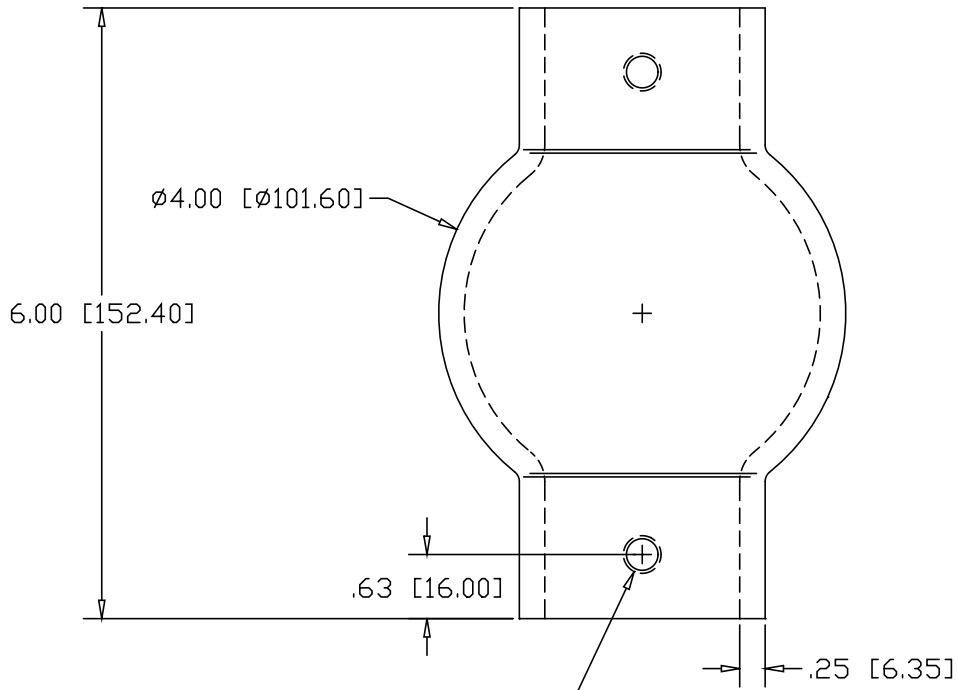
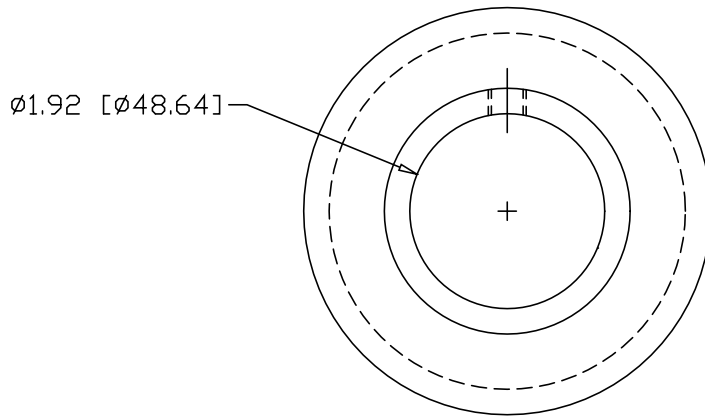


REV
SH
WR270
DWG NO


REVISIONS			
REV	DESCRIPTION	DATE	APPROVED



3/8-16 TAP FOR SET-SCREW
(2) PLACES TYPICAL



INCHES [MILLIMETERS]

PART NAME BALL FITTING COAXIAL OUTLET FOR 1-1/2" PIPE			
MATERIAL CAST ALUMINUM			
DATE 04/19/04		THE WAGNER COMPANIES	
DRAWN BY RJF		R & B WAGNER, INC. AND J. G. BRAUN CO.	
FINISH MILL	SIZE A	WEIGHT	PART NUMBER WR270
			REV