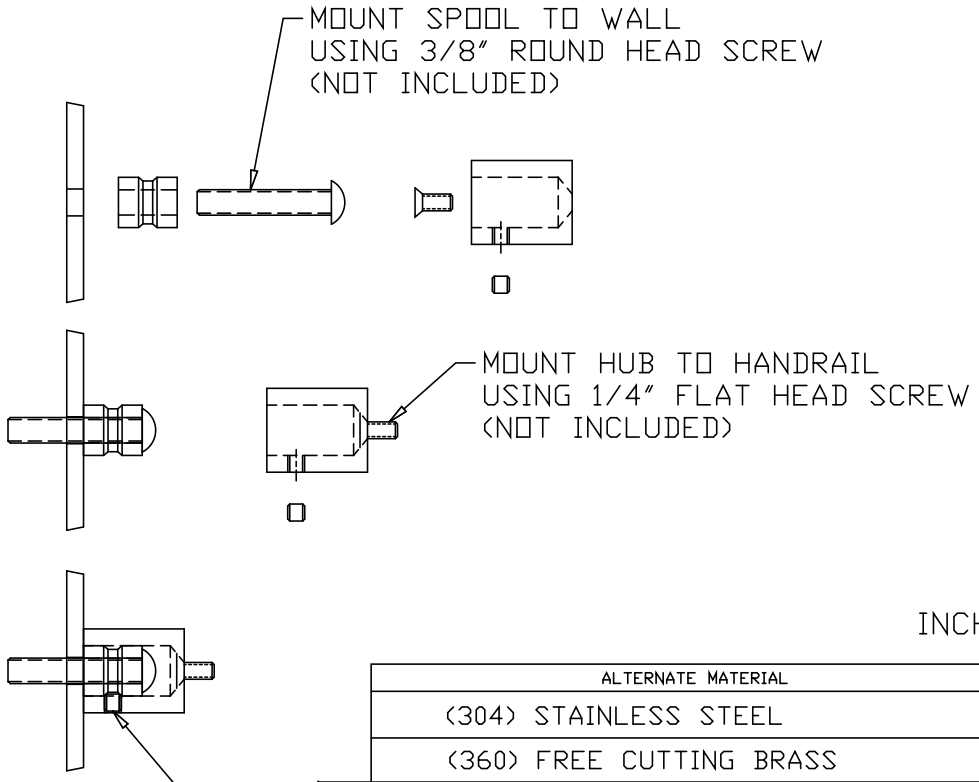
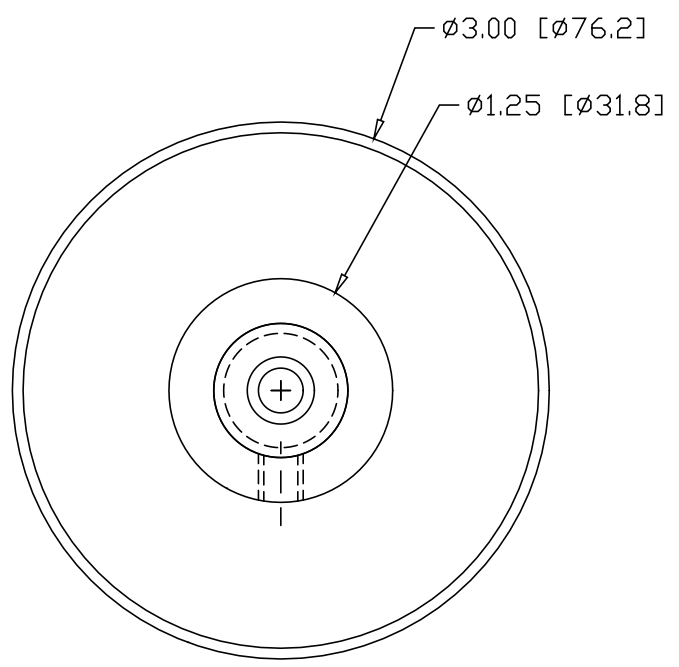
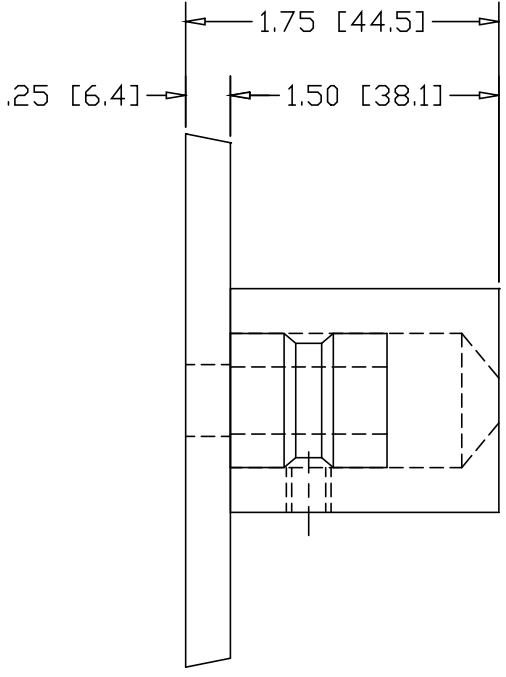



REV
SH
VA150W
DWG NO

REVISIONS			
REV	DESCRIPTION	DATE	APPROVED



INCHES [MILLIMETERS]

ALTERNATE MATERIAL	PART NUMBER
(304) STAINLESS STEEL	VS150W
(360) FREE CUTTING BRASS	VB150W

PART NAME		HANDRAIL CONCEALED MOUNT HUB WITH BASE DISK	
MATERIAL		(6063) ALUMINUM	
DATE	9/17/03	 THE WAGNER COMPANIES R & B WAGNER, INC. AND J. G. BRAUN CO.	PART NUMBER VA150W
DRAWN BY	RJF		
FINISH	#4 SATIN		
SIZE	A	WEIGHT	REV