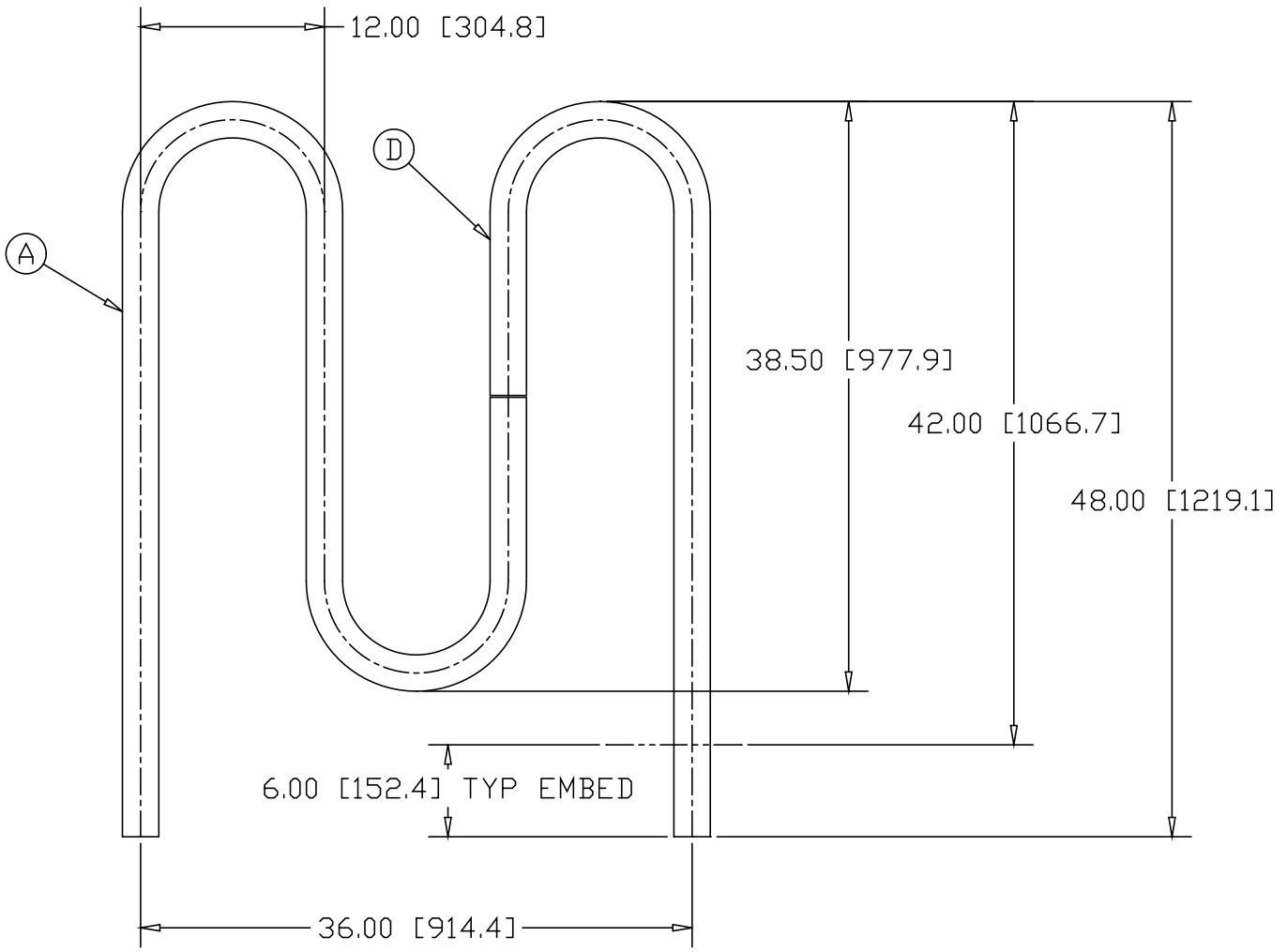



REV  
A  
SH  
SR3M  
DWG NO

| REVISIONS |                                  |          |          |
|-----------|----------------------------------|----------|----------|
| REV       | DESCRIPTION                      | DATE     | APPROVED |
| A         | EMBED WAS 10.00, 48.00 WAS 52.00 | 12/18/06 | RJF      |



INCHES [MILLIMETERS]

| ALTERNATE MATERIAL                   | PART NUMBER |
|--------------------------------------|-------------|
| 2" SCH40 STEEL PIPE - GALVANIZED     | SR3G        |
| 2" STAINLESS STEEL PIPE SATIN FINISH | SR3SS       |

|           |          |   |          |             |      |     |   |
|-----------|----------|---|----------|-------------|------|-----|---|
| PART NAME |          | 3 LOOP BIKE RACK  |          |             |      |     |   |
| MATERIAL  |          | 2" SCH 40 (2.38" O.D.) STEEL PIPE   |          |             |      |     |   |
| DATE      | 12/29/97 |  <b>THE WAGNER COMPANIES</b><br>R & B WAGNER, INC. AND J. G. BRAUN CO. |          |             |      |     |   |
| DRAWN BY  | RJF      |   |          |             |      |     |   |
| FINISH    | MILL     |   |          |             |      |     |   |
| SIZE      | A        | WEIGHT  | 56.2 lbs | PART NUMBER | SR3M | REV | A |