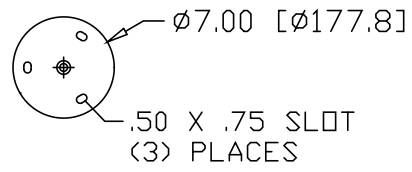
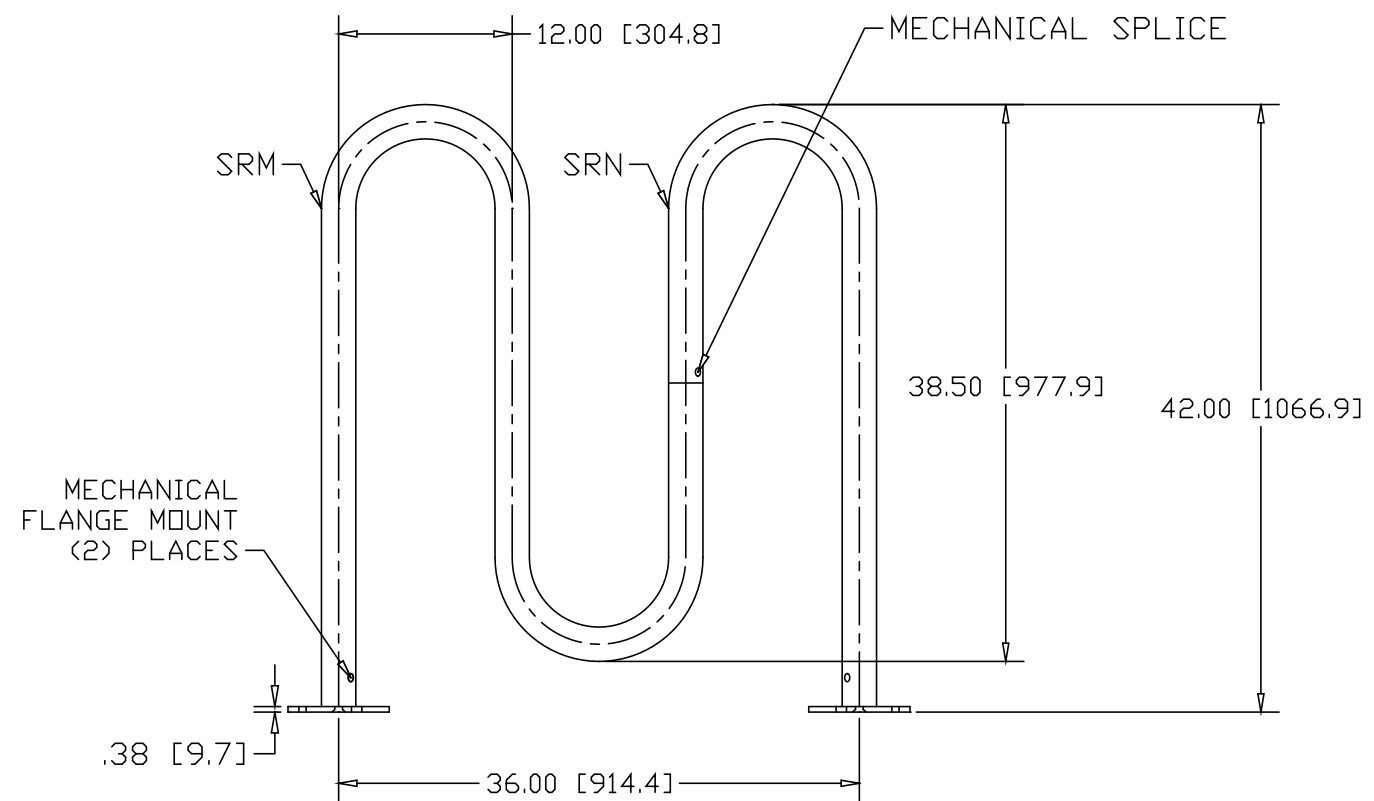



REVISIONS			
REV	DESCRIPTION	DATE	APPROVED



INCHES [MILLIMETERS]

PART NAME PRE-GALVANIZED BIKE RACK KIT, (3) LOOP SURFACE MOUNT			
MATERIAL 2.375" OD X .120W GALVANIZED STEEL TUBE			
DATE 04/21/06		THE WAGNER COMPANIES R & B WAGNER, INC. AND J. G. BRAUN CO.	
DRAWN BY RJF			
FINISH GALVANIZED	SIZE A	WEIGHT 49.2 LBS	PART NUMBER SR3LW-SM
			REV