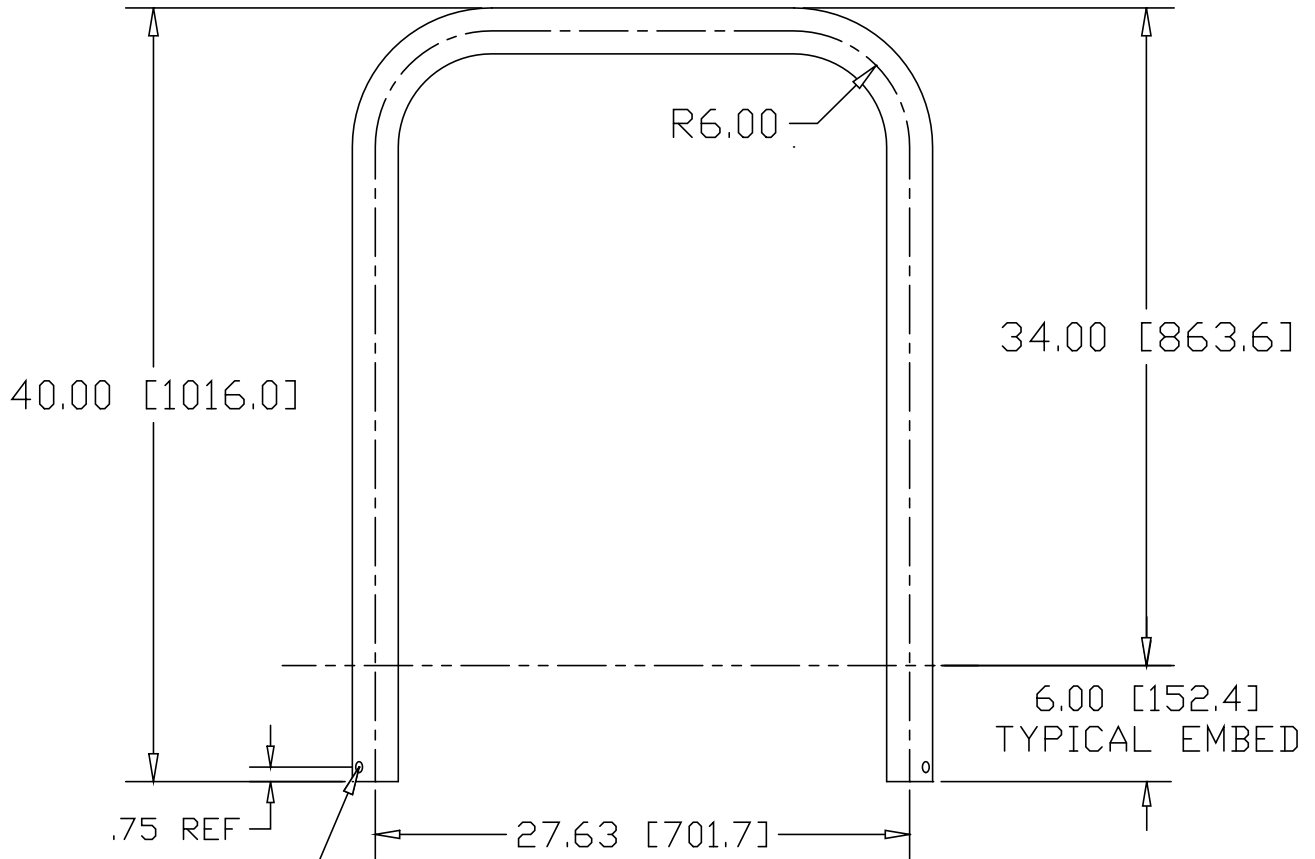


REV  
SH  
SR1LW6  
DWG NO


REVISIONS			
REV	DESCRIPTION	DATE	APPROVED



DRILL  $\phi$ .56 HOLE  
.75 IN FROM END  
BOTH LEGS TYPICAL

DL = 100.09"

INCHES [MILLIMETERS]

PART NAME		PRE-GALVANIZED BIKE RACK KIT, U-BEND	
MATERIAL		2.375" OD X .120W GALVANIZED STEEL TUBE	
DATE	02/03/12	 <b>THE WAGNER COMPANIES</b> R & B WAGNER, INC. AND J. G. BRAUN CO.	REV
DRAWN BY	RJF		
FINISH	GALVANIZED		
SIZE	A	WEIGHT	25.83 LBS
PART NUMBER		SR1LW6	