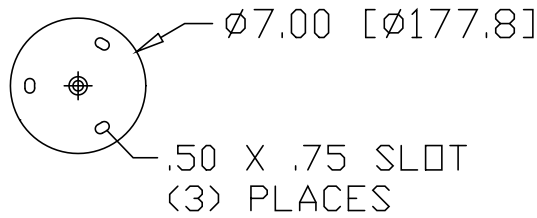
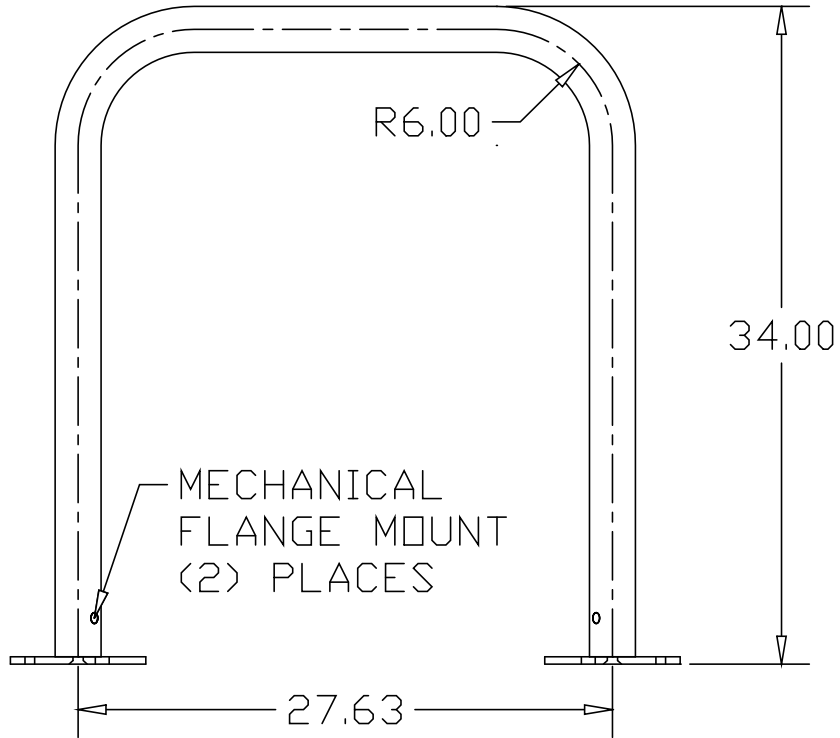


REV
SH
SR1LW6-SM
DWG NO

REVISIONS			
REV	DESCRIPTION	DATE	APPROVED



INCHES [MILLIMETERS]

PART NAME		PRE-GALVANIZED BIKE RACK KIT, U-BEND SURFACE MOUNT				
MATERIAL		2.375" OD X .120W GALVANIZED STEEL TUBE				
DATE	02/03/12		THE WAGNER COMPANIES R & B WAGNER, INC. AND J. G. BRAUN CO.			
DRAWN BY	RJF					
FINISH	GALVANIZED					
SIZE	A	WEIGHT	24.63 LBS	PART NUMBER	SR1LW6-SM	REV