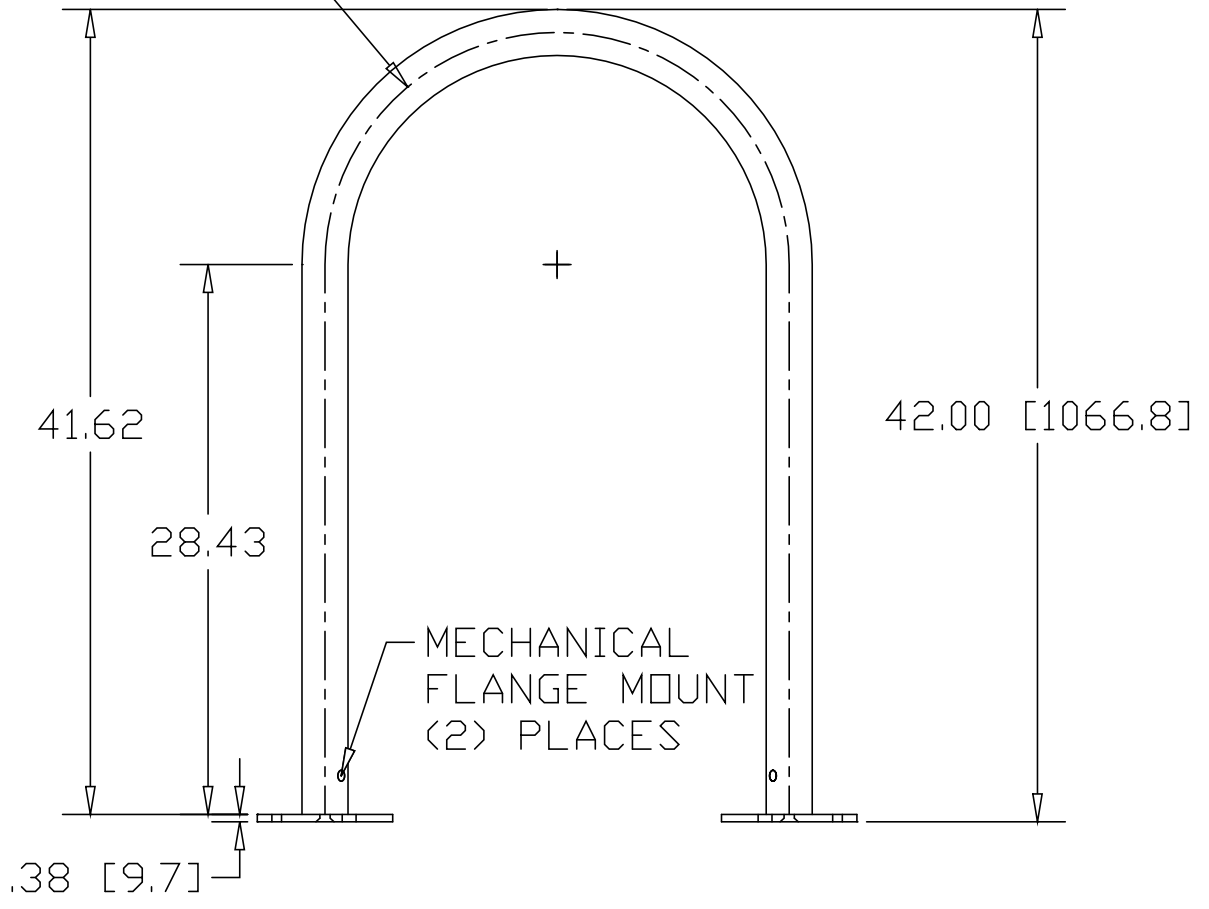


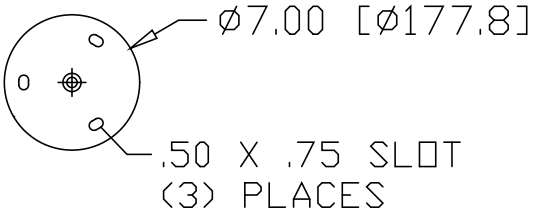
REV
SH
DWG NO SR1LW-SM-BLK

REVISIONS			
REV	DESCRIPTION	DATE	APPROVED

R12.00 [R304.8]




MECHANICAL
FLANGE MOUNT
(2) PLACES



DL = 94.55"

INCHES [MILLIMETERS]

PART NAME PRE-GALVANIZED BIKE RACK, SINGLE LOOP SURFACE MOUNT			
MATERIAL 2.375" OD X .120W GALVANIZED STEEL TUBE			
DATE 05/16/06		THE WAGNER COMPANIES R & B WAGNER, INC. AND J. G. BRAUN CO.	
DRAWN BY RJF			
FINISH POWDER COAT BLACK			
SIZE A	WEIGHT 24.86 LBS	PART NUMBER SR1LW-SM-BLK	REV