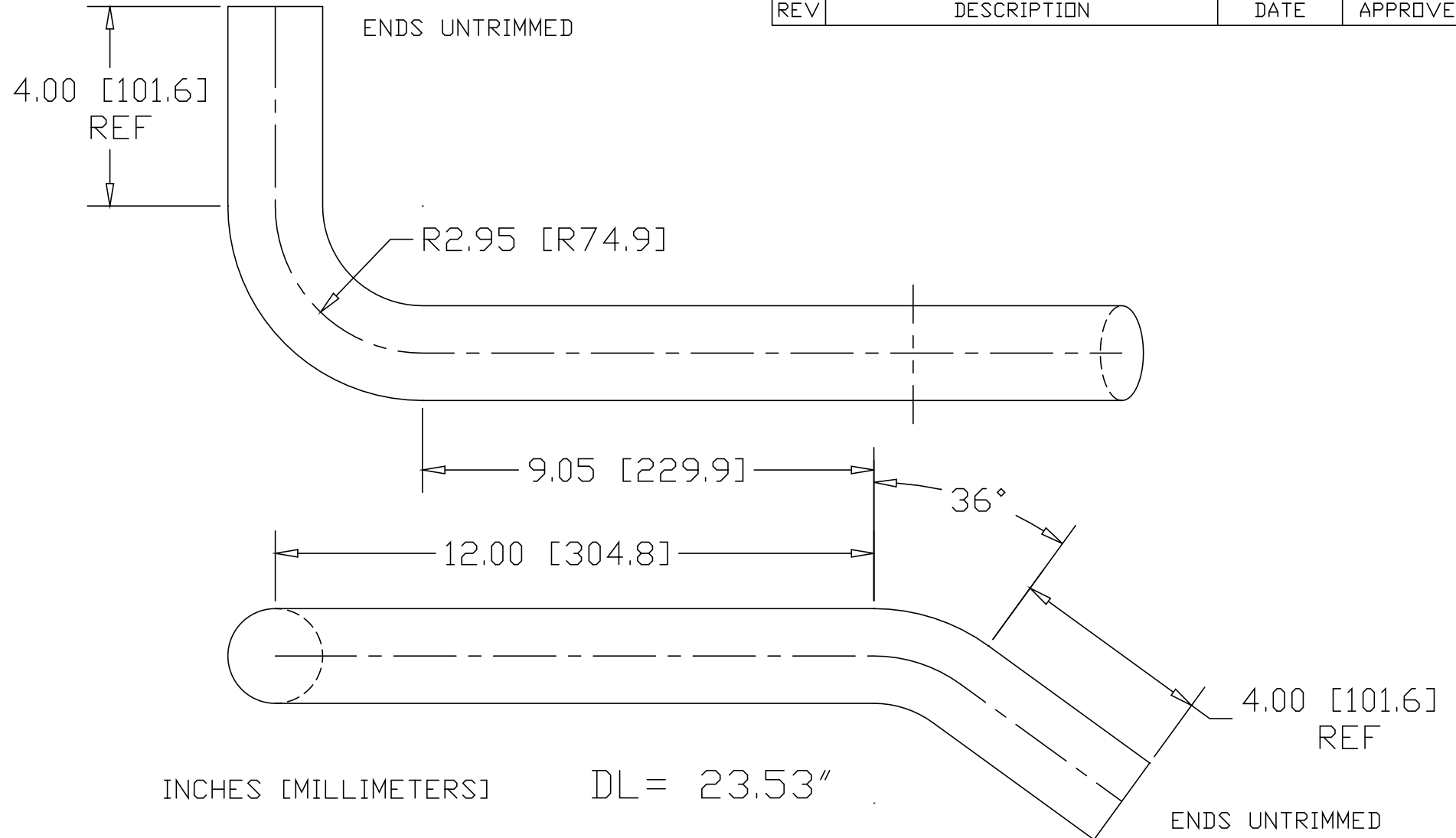



REVISIONS			
REV	DESCRIPTION	DATE	APPROVED



INCHES [MILLIMETERS]

DL = 23.53"

PART NAME		RAIL END 36° RIGHT HAND		
MATERIAL		1-1/2" SCH 40 STAINLESS STEEL PIPE		
DATE	02/14/07		THE WAGNER COMPANIES R & B WAGNER, INC. AND J. G. BRAUN CO.	
DRAWN BY	RJF			
FINISH	#4 SATIN	SIZE	WEIGHT	PART NUMBER
		A	5.37 LBS	RE3936-R
				REV