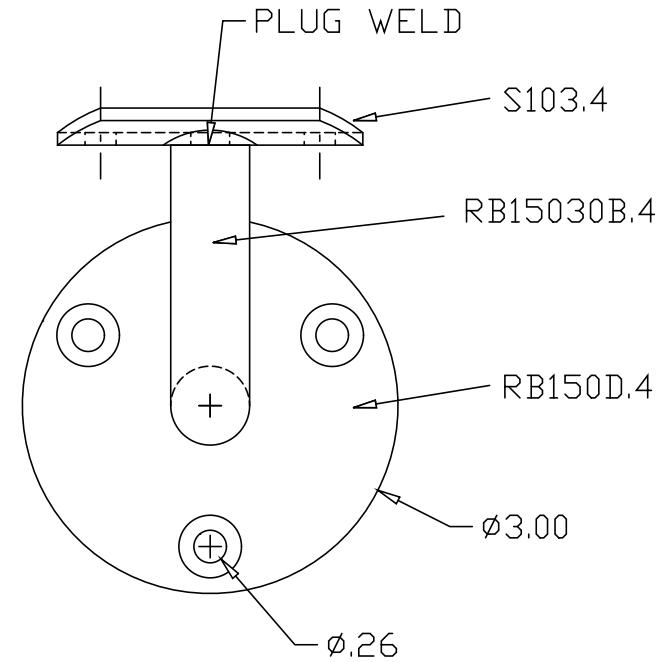
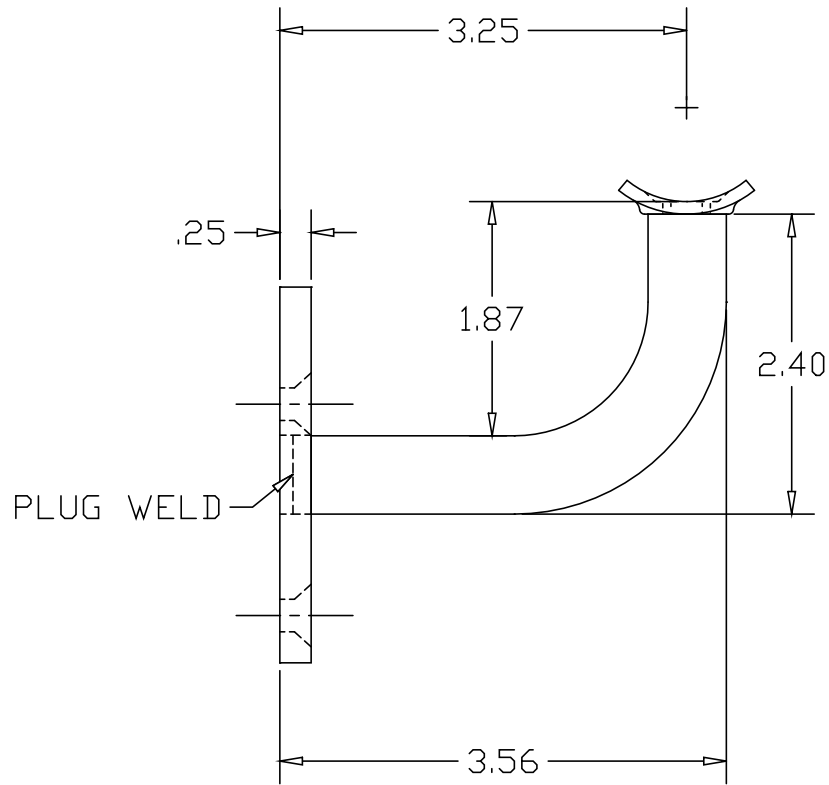


| REVISIONS | | | |
|-----------|-------------|------|----------|
| REV | DESCRIPTION | DATE | APPROVED |
| | | | |



| | | | | |
|-----------|----------|---------------------------------------|--|-------------|
| PART NAME | | HANDRAIL BRACKET, BAR BEND FABRICATED | | |
| MATERIAL | | 304 STAINLESS STEEL | | |
| DATE | 03/06/09 | WAGNER | THE WAGNER COMPANIES R & B WAGNER, INC. AND J. G. BRAUN CO. | |
| DRAWN BY | RDC | | | |
| FINISH | #4 SATIN | SIZE | WEIGHT | PART NUMBER |
| | | A | | RB15030.4 |
| | | | | REV |