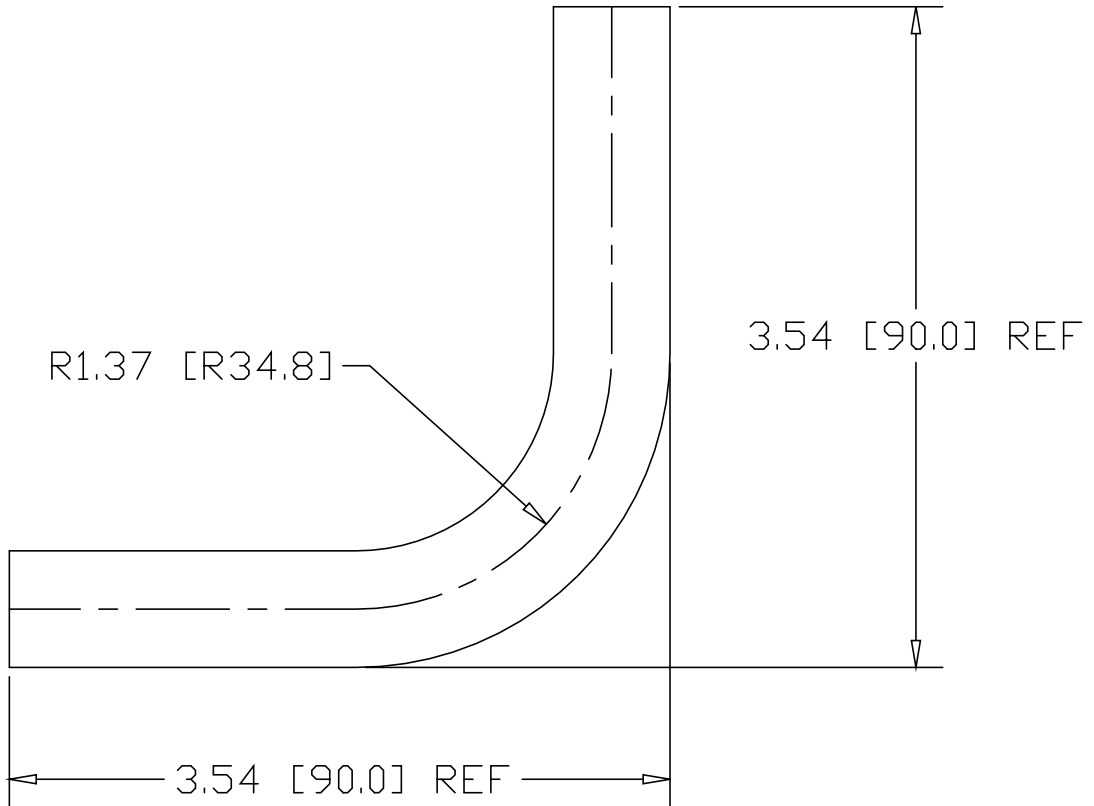
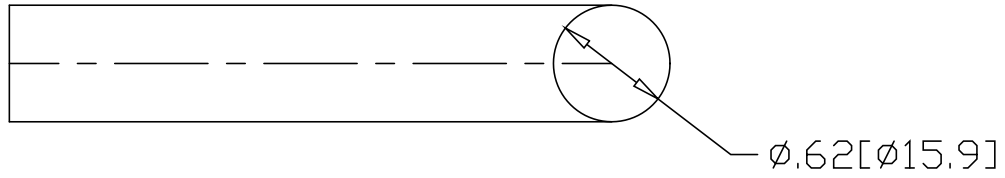


REV
SH
R140
DWG NO


REVISIONS			
REV	DESCRIPTION	DATE	APPROVED



NOTE: ENDS UNTRIMMED

INCHES[MILLIMETERS]

ALTERNATE MATERIAL	PART NUMBER
5/8"Ø 304 STAINLESS STEEL BAR	R150
5/8"Ø 6063 ALUMINUM BAR	R250
5/8"Ø 360 BRASS BAR	R160
5/8"Ø 385 ARCH BRONZE BAR	R220

PART NAME		5/8"Ø BAR BEND					
MATERIAL		5/8"Ø COLD ROLLED STEEL BAR					
DATE	11/20/98	 THE WAGNER COMPANIES R & B WAGNER, INC. AND J. G. BRAUN CO.					
DRAWN BY	RJF						
FINISH	MILL						
SIZE	A	WEIGHT	.51 LBS	PART NUMBER	R140	REV	