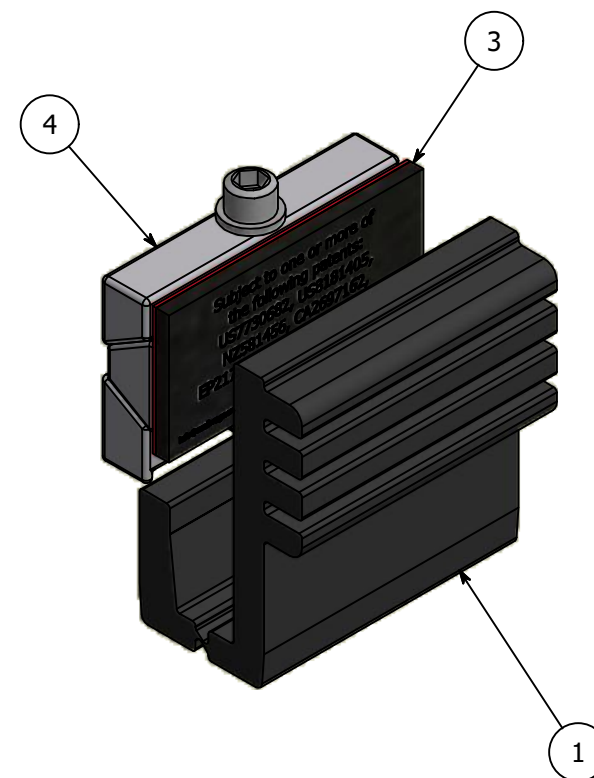
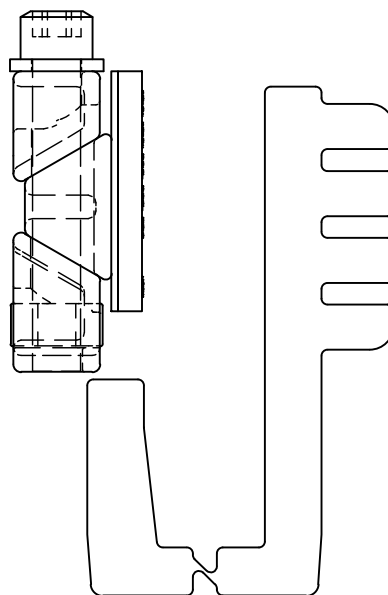
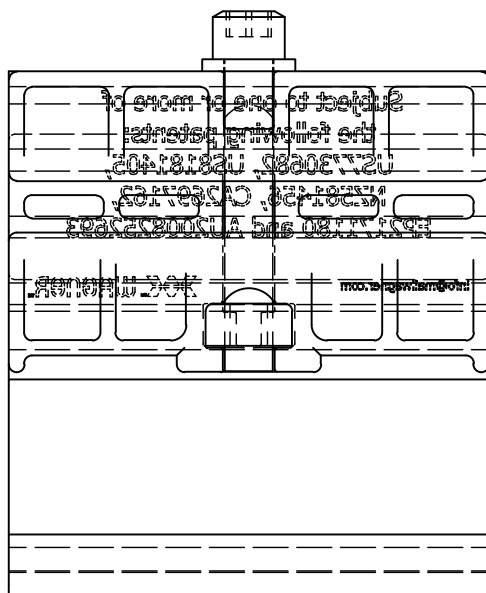




| REVISION HISTORY | | | |
|------------------|----------------------------------|-----------|--|
| REV | DESCRIPTION | DATE | |
| 1 | Initial Release | 9/9/2015 | |
| 2 | PGISO.160 WAS PGISO.250 | 2/5/2019 | |
| 3 | Added Sheet 2, Mechanism details | 3/18/2019 | |

| PARTS LIST | | | |
|------------|-----|-------------|--|
| ITEM | QTY | PART NUMBER | DESCRIPTION |
| 1 | 1 | PGISO50 | Black Isolator, Plastic, Used with Panel Grip, 1/2" Glass |
| 2 | 1 | N/A | Panel Grip Assembly, see sheet 2 |
| 3 | 1 | PGISO.160 | Isolator HDPE, Black/PSA 3M 468MP One Side, .160 Inch X 1.250 Inch X 2.500 Inch, Printed |

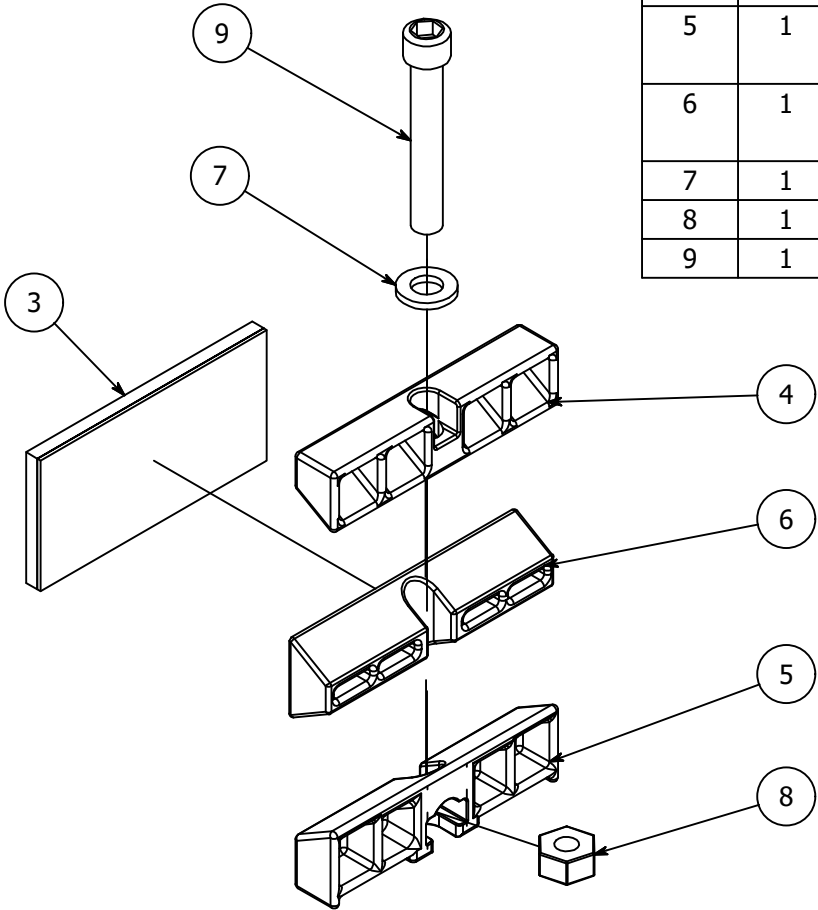


| | | | | |
|---|-------------------|--------------|---|----------------|
| TOLERANCE X.X..... = ± .060 X.XX..... = ± .030 X.XXX..... = ± .010 XX°..... = ± 1° UNLESS OTHERWISE NOTED | CUT LENGTH: | FINISH: | DESCRIPTION: PanelGrip 2 for 1/2" Glass, Dry Mount Mechanism, with Black Isolator and Black Pad | |
| | | As Is | MATERIAL: | MATERIAL DESC: |
| | DEVELOPED LENGTH: | WEIGHT: | DATE: | REV: |
| | | 0.30 lbmass | 3/18/2019 | 3 |
| TOOL NUMBER: | | DRAWN BY: | PART NUMBER: | |
| | | K. Bauserman | PG2472S | |



PANEL GRIP MECHANISM ASSEMBLY

| PARTS LIST | | | |
|------------|-----|----------------|--|
| ITEM | QTY | PART NUMBER | DESCRIPTION |
| 3 | 1 | PGISO.160 | Isolator HDPE, Black/PSA 3M 468MP One Side, .160 Inch X 1.250 Inch X 2.500 Inch, Printed |
| 4 | 1 | PG2T | PanelGrip, Zinc Aluminum, Cast, Top Block, .450" Thick, .57" High, 2.50" Long |
| 5 | 1 | PG2B | PanelGrip, Zinc Aluminum, Cast, Bottom Block, .450" Thick, .72" High, 2.50" Long |
| 6 | 1 | PG2C | PanelGrip, Zinc Aluminum, Cast, Center Block, .450" Thick, .76" High, 2.50" Long |
| 7 | 1 | PG2LW | Washer Lock, 1/4-20, Stainless Steel |
| 8 | 1 | PG2NUT | Nut, Stainless Steel, 1/4-20 FHN |
| 9 | 1 | SHC3N2520-0163 | SCREW SS 1/4-20 X .50 SOCKET HEAD CAP |



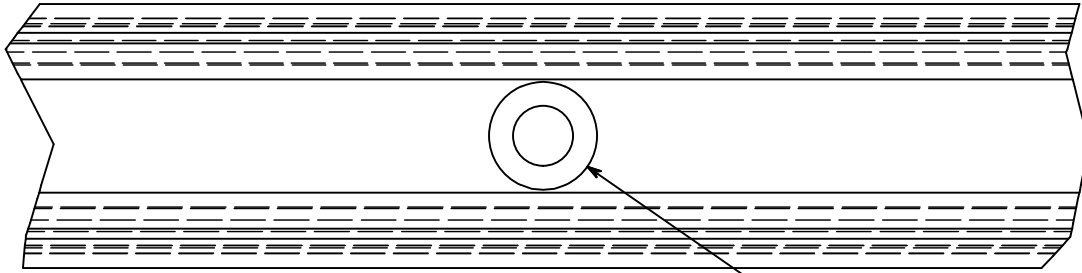
| | | | | |
|---|-------------------|--------------|---|----------------|
| TOLERANCE X.X..... = ± .060 X.XX..... = ± .030 X.XXX..... = ± .010 XX°..... = ± 1° UNLESS OTHERWISE NOTED | CUT LENGTH: | FINISH: | DESCRIPTION: PanelGrip 2 for 1/2" Glass, Dry Mount Mechanism, with Black Isolator and Black Pad | |
| | DEVELOPED LENGTH: | WEIGHT: | MATERIAL: | MATERIAL DESC: |
| | TOOL NUMBER: | | DATE: | REV: |
| | | | 3/18/2019 DRAWN BY: K. Bauserman | 3 |
| | | PART NUMBER: | COLLABORATIVE METAL WORKS | |
| | | | PG2472S | |

2

1

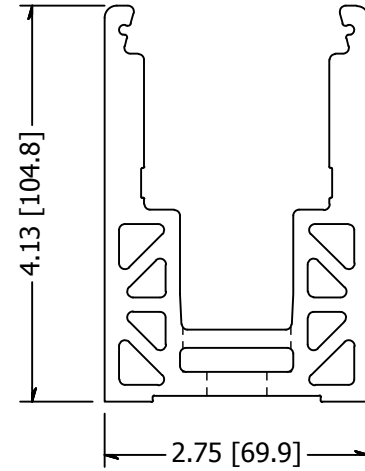
B

B



DETAIL B

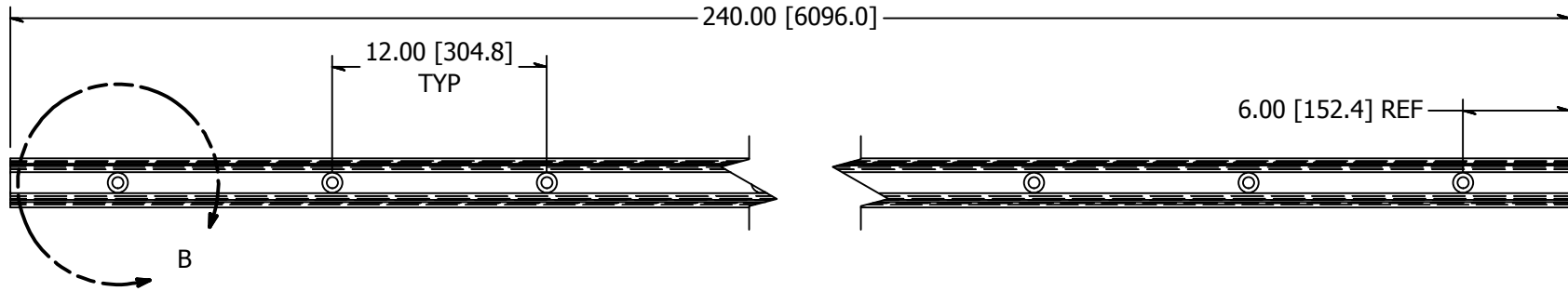
(20) $\varnothing 0.625$ THRU
 $\square \varnothing 1.125 \nabla 0.438$



B

A

A



A

| | | | | | |
|---|-------------------|--------------|---|----------------|--|
| TOLERANCE X.X..... = $\pm .060$ X.XX..... = $\pm .030$ X.XXX..... = $\pm .010$ XX $^\circ$ = $\pm 1^\circ$ UNLESS OTHERWISE NOTED | CUT LENGTH: | FINISH: | DESCRIPTION: Shoe Moulding, AL, PanelGrip, 2-3/4 In Wide, 4-1/8 In High, Counterbored Holes | | |
| | | MILL | MATERIAL: | MATERIAL DESC: | |
| | DEVELOPED LENGTH: | WEIGHT: | DATE: | REV: | WAGNER COLLABORATIVE METAL WORKS |
| | TOOL NUMBER: | 97.59 lbmass | DRAWN BY: | - | |
| | | | PART NUMBER: | | |
| | | | GR2457HCB | | |

2

1

