

2



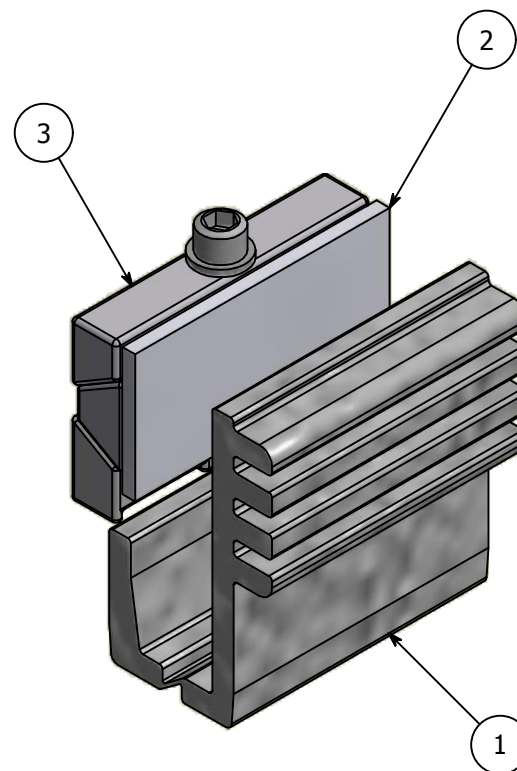
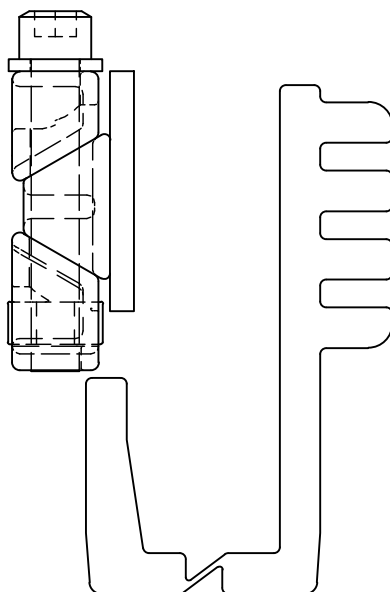
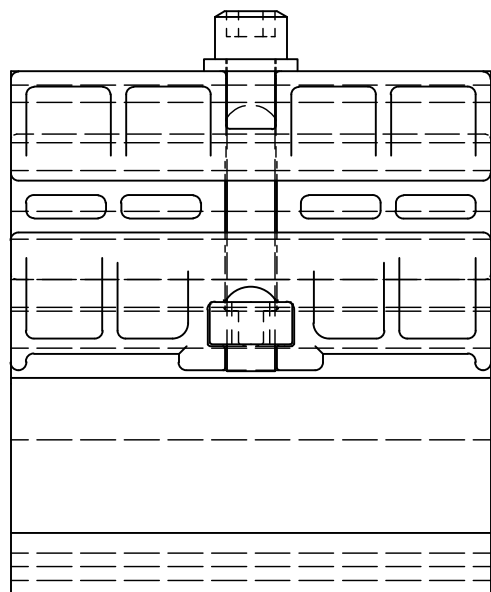
1

PARTS LIST

ITEM	QTY	PART NUMBER	DESCRIPTION
1	1	PGISO17	Light Gray Isolator, Plastic, Used with Panel Grip, 17.5mm Glass
2	1	PGISO.125	White Pad, Used with Panel Grip, 17.5mm Glass
3	1	N/A	Panel Grip Assembly

B

B



A

A

<b>TOLERANCE</b> X.X..... = ± .060 X.XX..... = ± .030 X.XXX..... = ± .010  XX°..... = ± 1°  UNLESS OTHERWISE NOTED	CUT LENGTH:	FINISH:	DESCRIPTION: PanelGrip 2 for 17.5 mm Glass, Dry Mount Mechanism, w/ Light Gray Isolator and White Pad	
	DEVELOPED LENGTH:	WEIGHT:	MATERIAL:	MATERIAL DESC:
	TOOL NUMBER:	N/A	DATE: 9/10/2015	REV: 1
			DRAWN BY: K. Bauserman	PART NUMBER: PG2417S



2



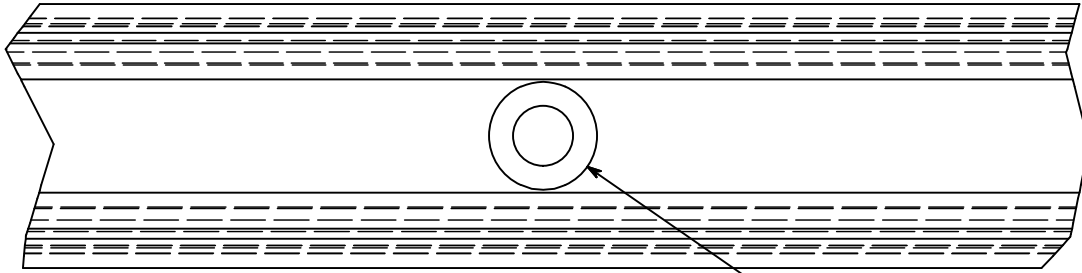
1

2

1

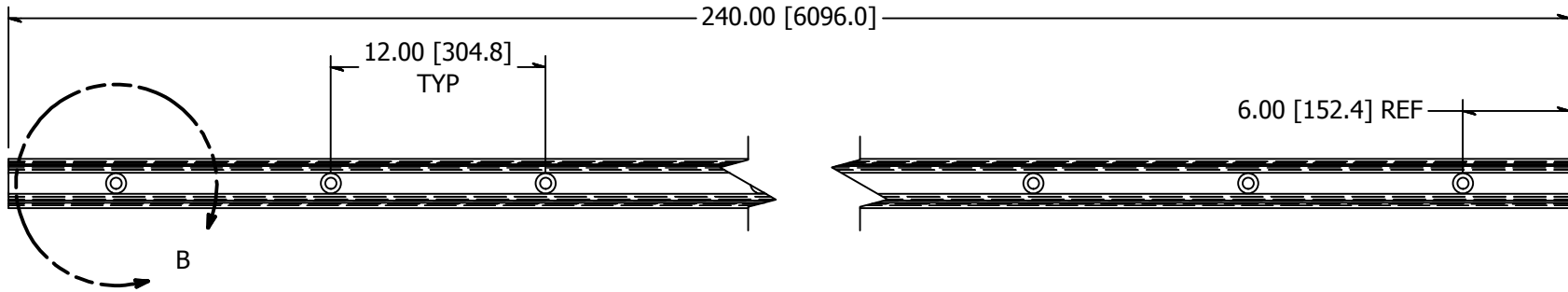
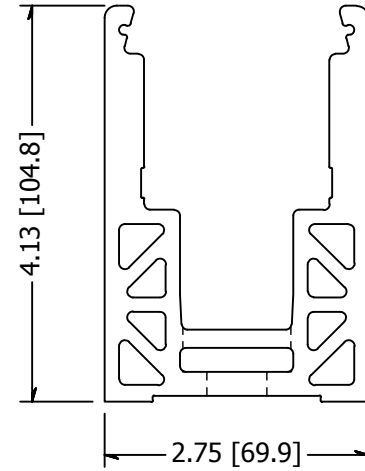
B

B



DETAIL B

(20)  $\varnothing 0.625$  THRU  
 $\square \varnothing 1.125 \nabla 0.438$




A

A

2

1



<p><b>TOLERANCE</b></p> <p>X.X..... = <math>\pm .060</math></p> <p>X.XX..... = <math>\pm .030</math></p> <p>X.XXX..... = <math>\pm .010</math></p> <p>XX<math>^\circ</math>..... = <math>\pm 1^\circ</math></p> <p>UNLESS OTHERWISE NOTED</p>	CUT LENGTH:	FINISH:	DESCRIPTION: Shoe Moulding, AL, PanelGrip, 2-3/4 In Wide, 4-1/8 In High, Counterbored Holes		
		MILL	MATERIAL:	MATERIAL DESC:	
	DEVELOPED LENGTH:	WEIGHT:	DATE:	REV:	
	TOOL NUMBER:		DRAWN BY:		
			PART NUMBER:	 COLLABORATIVE METAL WORKS	
			GR2457HCB		

