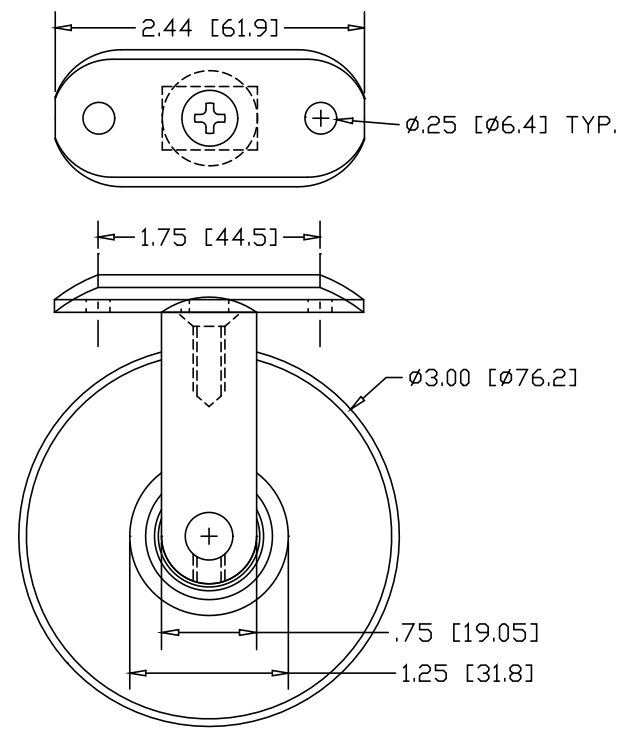
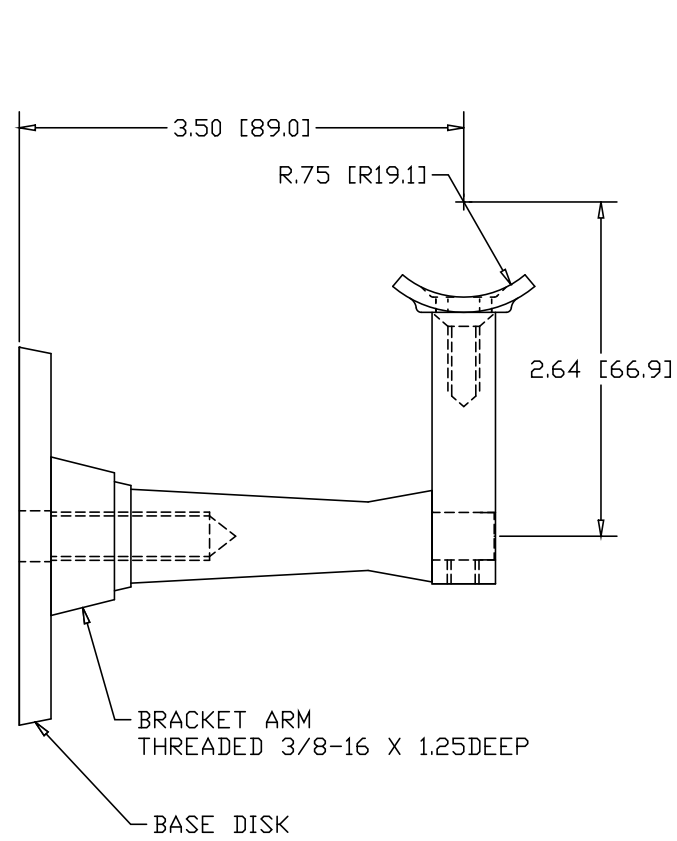
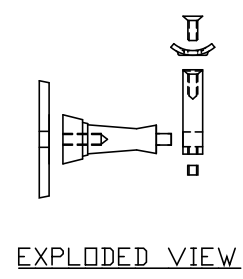



REVISIONS			
REV	DESCRIPTION	DATE	APPROVED
A	3.50 WAS 2.87	02/28/08	RJF
B	REMOVED STEP IN RS303	09/23/10	PWH



INCHES [MILLIMETERS]



PART NAME		MACHINED BRACKET, WALL MOUNT KIT	
MATERIAL		360 BRASS	
DATE	1/24/07		THE WAGNER COMPANIES R & B WAGNER, INC. AND J. G. BRAUN CO.
DRAWN BY	RDC		
FINISH	#4 SATIN	SIZE	A
		WEIGHT	
		PART NUMBER	MB4302W
		REV	B