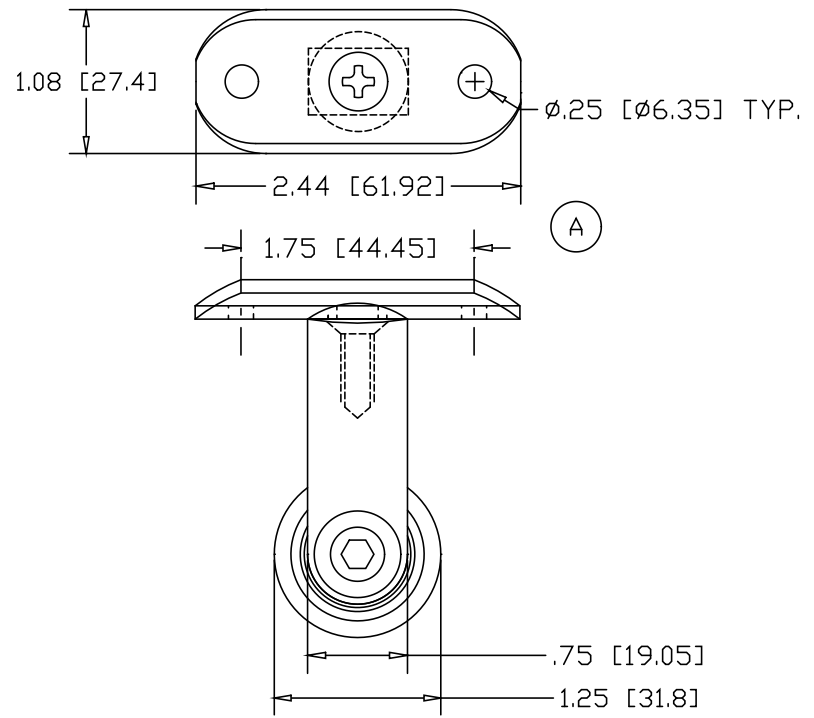
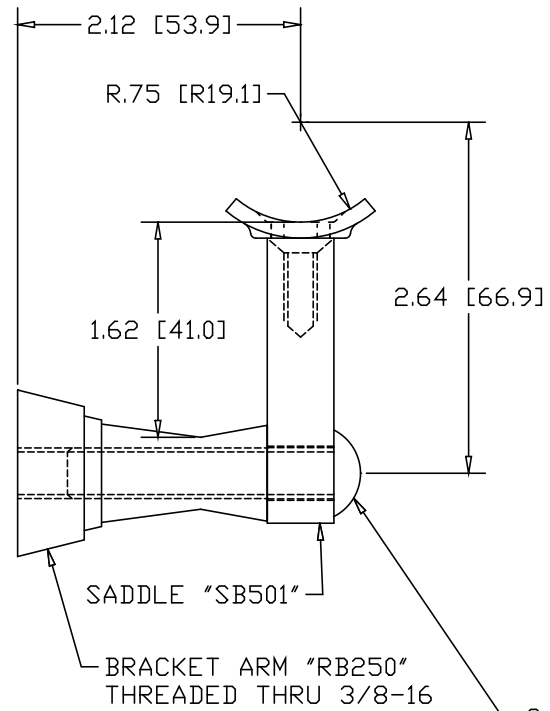
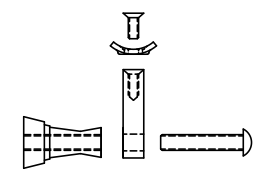


| REVISIONS |                |          |          |
|-----------|----------------|----------|----------|
| REV       | DESCRIPTION    | DATE     | APPROVED |
| A         | REVISED SADDLE | 12/09/09 | RDC      |




3/8-16 X 2" #6843  
BUTTON HEAD BOLT

INCHES [MILLIMETERS]



EXPLODED VIEW

|           |          |   |   |             |
|-----------|----------|---|---|-------------|
| PART NAME |          | MACHINED BRACKET, POST MOUNT  |   |             |
| MATERIAL  |          | BRASS   |   |             |
| DATE      | 9/15/03  |  | <b>THE WAGNER COMPANIES</b><br>R & B WAGNER, INC. AND J. G. BRAUN CO. |             |
| DRAWN BY  | RJF      |   |   |             |
| FINISH    | #6 SATIN | SIZE  | WEIGHT  | PART NUMBER |
|           |          | A   |   | MB4251P     |
|           |          |   |   | REV         |