

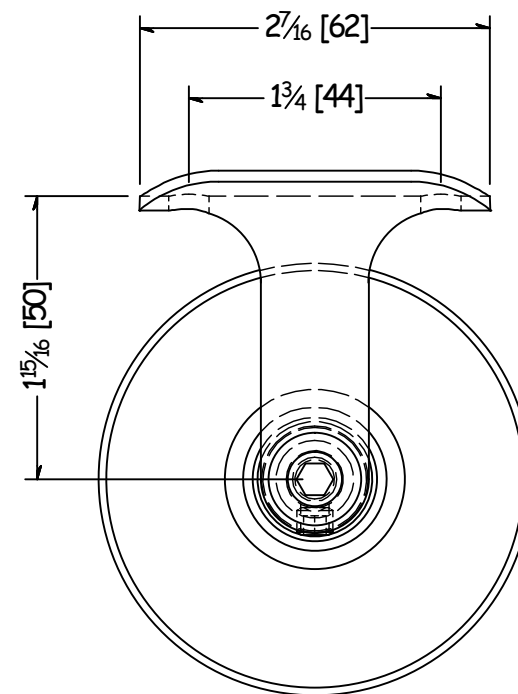
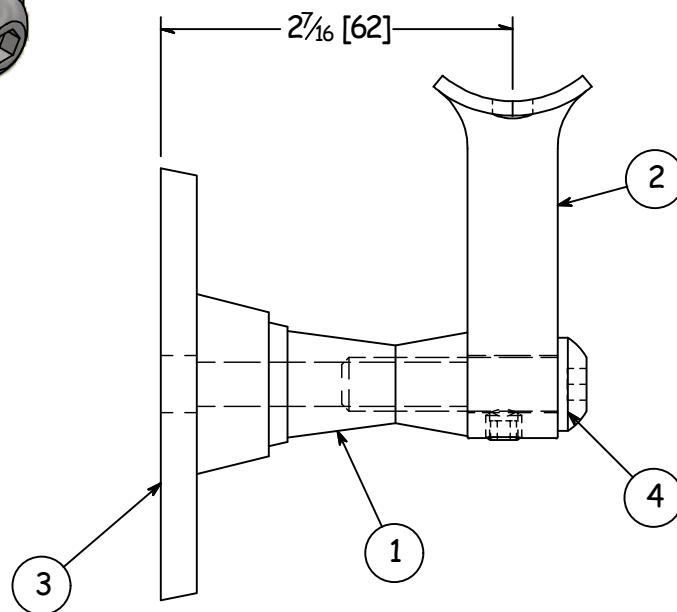
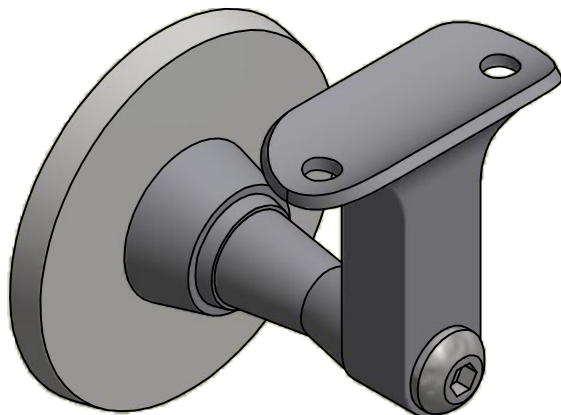
2




1

PARTS LIST

ITEM	QTY	PART NUMBER	DESCRIPTION
1	1	RS250	Handrail Bracket Arm, SS, 1-7/8 Inch Long, 3/8-16 Tapped Through, Type 304
2	1	S3502	Handrail Bracket Saddle And Vertical Arm, SS, Cast, #4 Satin Finish, Type 316
3	1	DS901.316	3" Round Backing Disk for Wall Mount
4	1	BAH3N3816-0150	SCREW, SS, 3/8-16 X 1.50" Inch, Button, Allen Head



TOLERANCE FRACTION: X/XX..... = ± 1/16" over 4ft. 16 FT RAIL EXAMPLE: 16 FT / 4 FT = 4 * 1/16" = 1/4" 16 FT RAIL..... = ± 1/4" DECIMAL: X.XX..... = ± .030 X.XXX..... = ± .010 UNLESS OTHERWISE NOTED	FINISH:	DESCRIPTION: Handrail Bracket, SS, Wall Mount, 2-7/16 Inch From Wall to Center of Handrail		
	#4	MATERIAL: Stainless	CUSTOMER NAME:	
	WEIGHT: 1.17 lbmass	DATE: 4/28/2014	 THE WAGNER COMPANIES R & B WAGNER, INC. AND J. G. BRAUN CO.	
	SIZE: A	DRAWN BY: K. Turdo		
	ITEM NUMBER: MB3251W	SHEET: 1 OF 1	DRAWING NUMBER: MB3251W	REV: -

2



1