

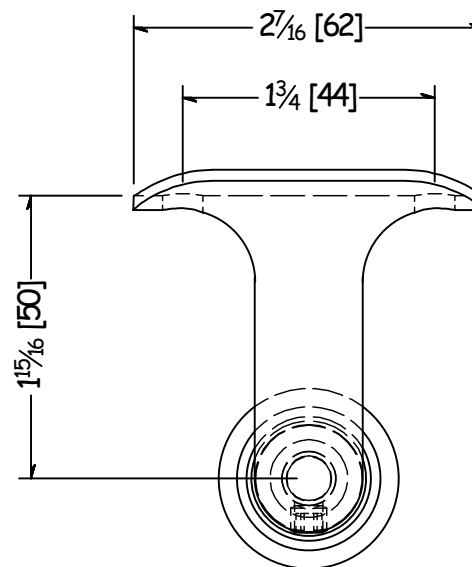
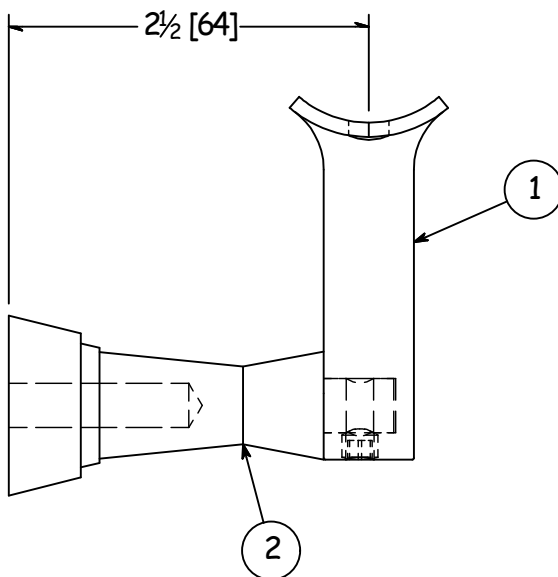
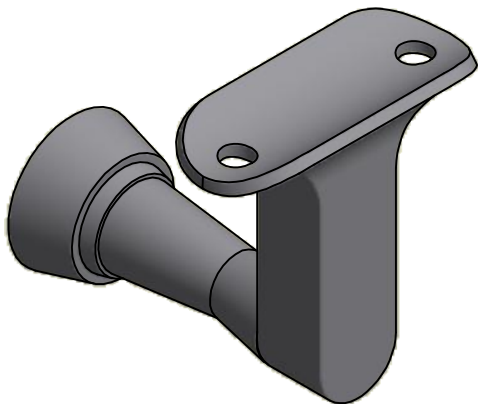
2



1

PARTS LIST

ITEM	QTY	PART NUMBER	DESCRIPTION
1	1	S3501	Handrail Bracket Saddle And Vertical Arm, SS, Cast, #4 Satin Finish, Type 316
2	1	RS3250	Handrail Bracket Arm, SS, Cast, 2-3/16 in Long, W/ End Spool, #4 Satin Finish



<b>TOLERANCE</b> FRACTION: X/XX..... = ± 1/16" over 4ft. 16 FT RAIL EXAMPLE: 16 FT / 4 FT = 4 * 1/16" = 1/4" 16 FT RAIL..... = ± 1/4"  DECIMAL: X.XX..... = ± .030 X.XXX..... = ± .010  UNLESS OTHERWISE NOTED	FINISH:	DESCRIPTION: Handrail Bracket, SS, Post Mount, 2-1/2 Inch From Post to Center of Handrail									
	#4	MATERIAL:	316 Stainless	CUSTOMER NAME:							
	WEIGHT:	DATE:		<b>THE WAGNER COMPANIES</b> R & B WAGNER, INC. AND J. G. BRAUN CO.							
	0.68 lbmass	9/16/2013									
SIZE:	A	DRAWN BY:	K. Turdo	ITEM NUMBER:	MB3250P	SHEET:	1 OF 1	DRAWING NUMBER:	MB3250P	REV:	-

2



1