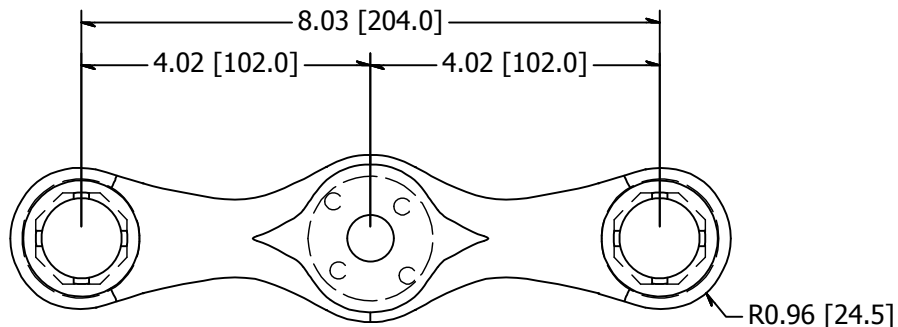
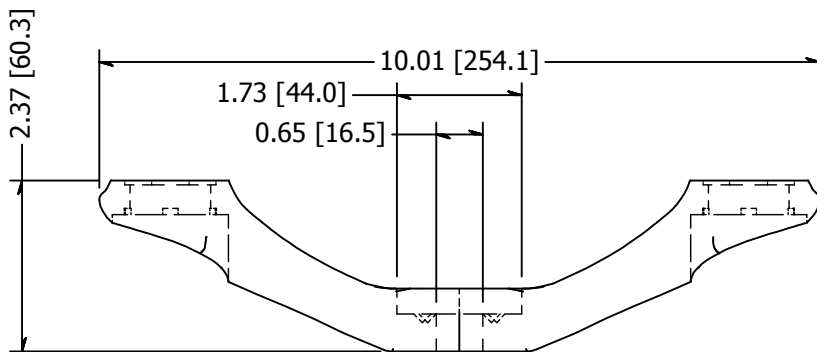


2

1



TOLERANCE UNLESS OTHERWISE NOTED, TOLERANCES TO CONFORM TO ES.03.011	CUT LENGTH:	FINISH: #4	DESCRIPTION: Spider, Stainless Steel, Sm Series, 200mm C/C 2 Point, 180 Degree, Brushed Satin Finish, Grade 316	
	DEVELOPED LENGTH:	WEIGHT: 2.28 lbmass	MATERIAL: Stainless Steel	MATERIAL DESC: 316 Stainless Steel, Cast
	TOOL NUMBER:		DATE: 9/27/2017	REV: -
			DRAWN BY: T. Kolbach	10600 W Brown Deer Rd Milwaukee, WI 53224 http://www.wagnercompanies.com/
		PART NUMBER: LXSM2180		

2

1