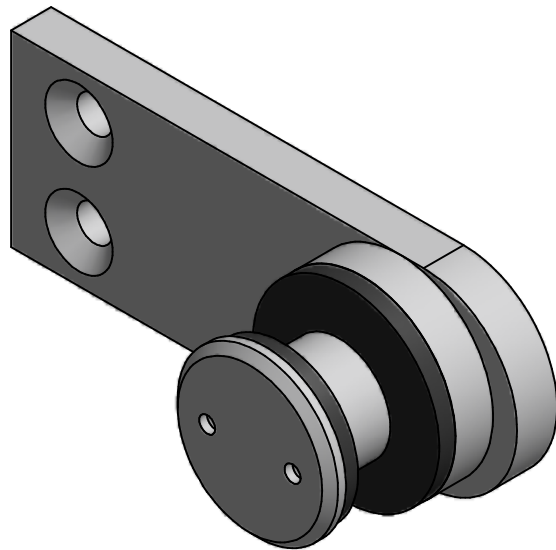


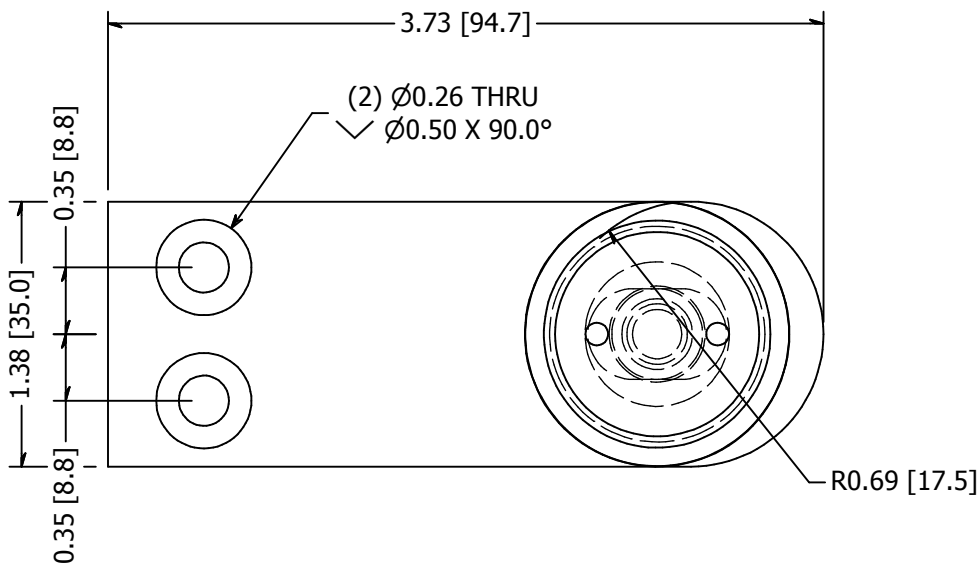
2

1



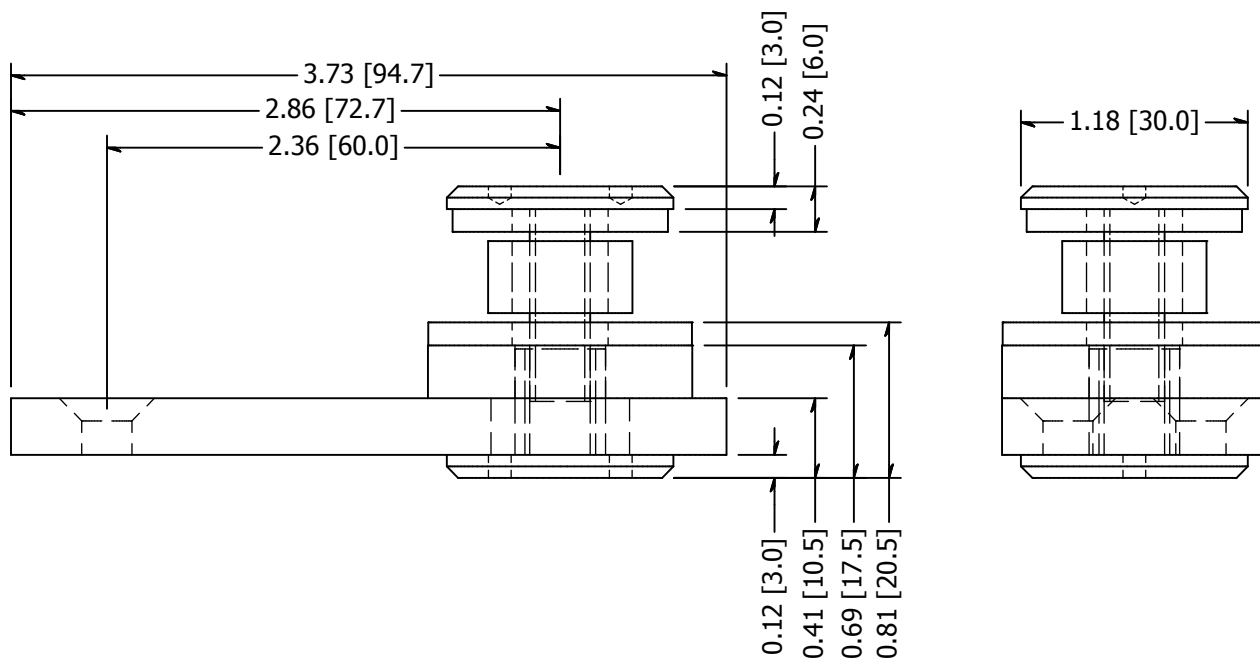
B


B



A

A



TOLERANCE X.X..... = ± .060 X.XX..... = ± .030 X.XXX..... = ± .010 XX°..... = ± 1° UNLESS OTHERWISE NOTED	MATERIAL:	316 Stainless			DESCRIPTION:	Point Fitting, Stainless Steel, 30 mm Head, 1 Point, Flat Plate, Brushed Satin Finish, Grade 316, 0.50 Inch Glass	
	FINISH:	Satin Brushed		DATE:	3/20/2015	REV:	1
	WEIGHT:	0.70 lbmass		DRAWN BY:	T. Kolbach		 COLLABORATIVE METAL WORKS
					ITEM NUMBER:	LXFP30-1	

2

1

