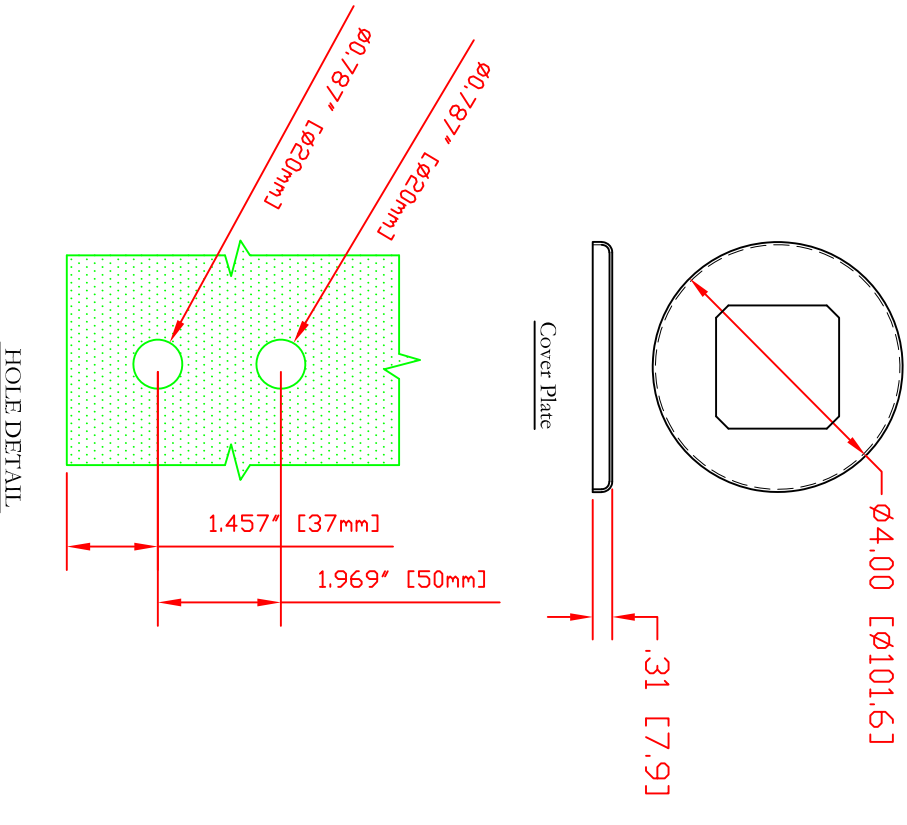
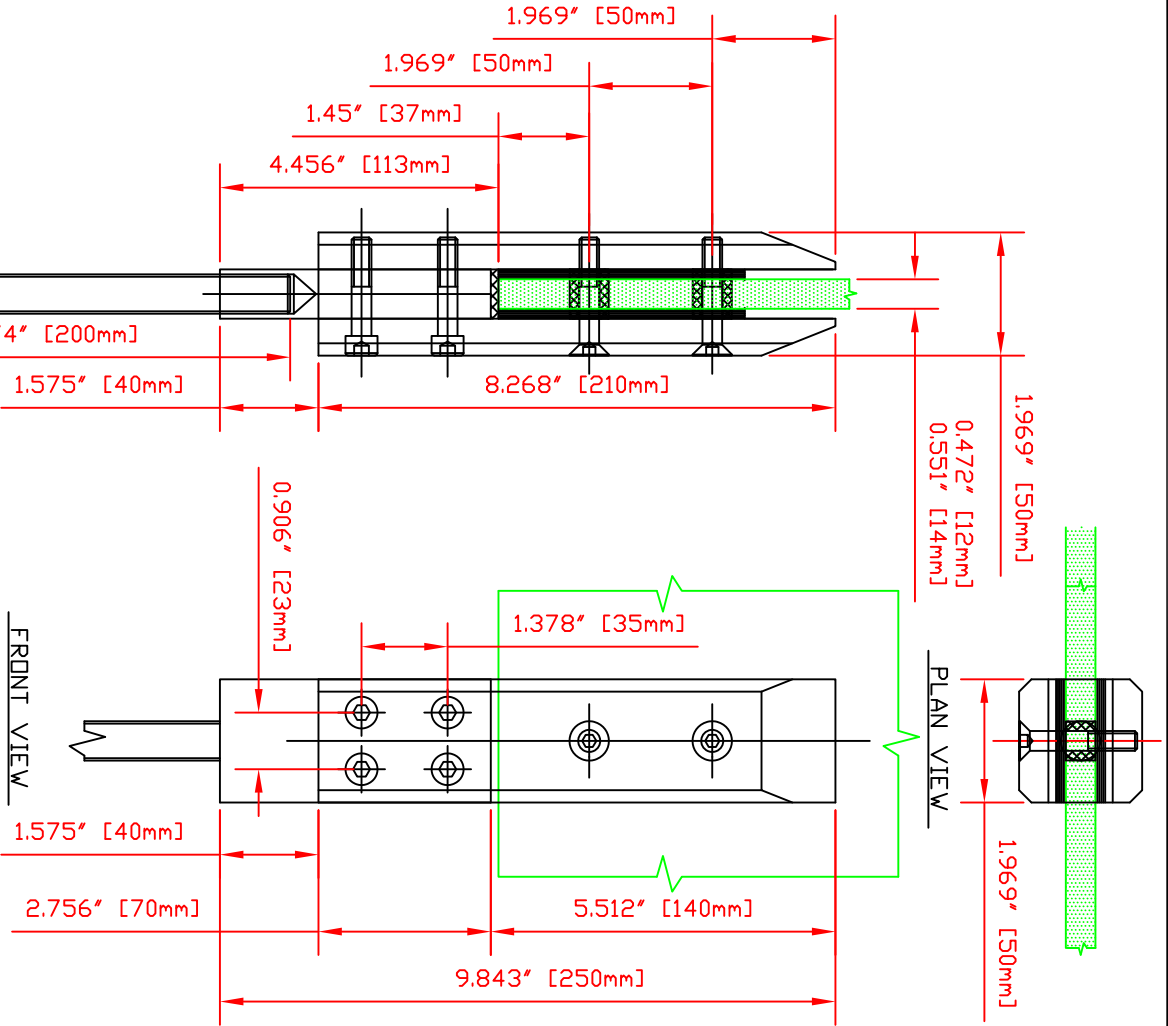


PART NUMBER LXF20 SH REV 3

REVISIONS				
REV	DESCRIPTION	DATE	APPROVED	
1	Round Cover Included	12/23/2016	TLK	
2	Update Glass Thickness	04/14/2017	TLK	
3	Update Glass Thickness	07/30/2018	TLK	



DISCLAIMER:
THIS DRAWING AND THE INFORMATION CONTAINED HEREIN IS FOR GENERAL USE ONLY. THE WAGNER COMPANIES TAKES NO RESPONSIBILITY FOR THE SPECIFICATION OF THIS PRODUCT. PLEASE DO NOT SCALE DRAWINGS.

PART NAME		SPIGOT - EMBEDDED MOUNT	
MATERIAL		STAINLESS STEEL 316	
DATE	04/14/10		THE WAGNER COMPANIES R & B WAGNER, INC. AND J. G. BRAUN CO.
DRAWN BY	TLK		
FINISH	SATIN	SIZE	A
WEIGHT		PART NUMBER	LXF20
		REV	3