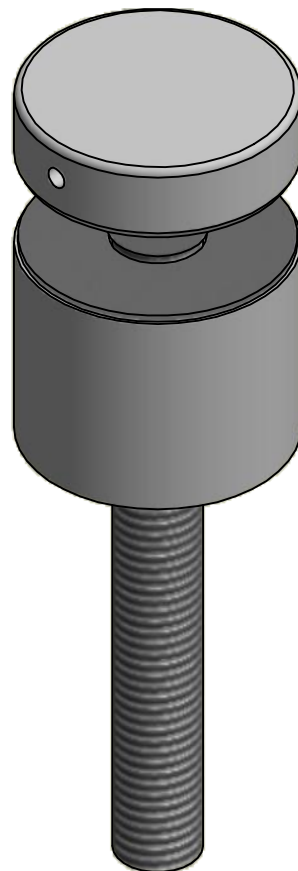
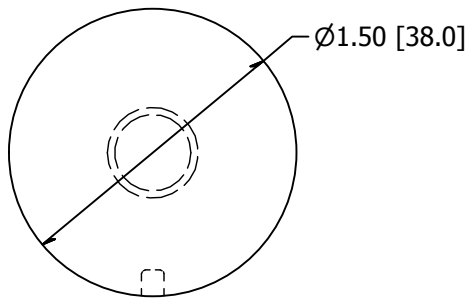


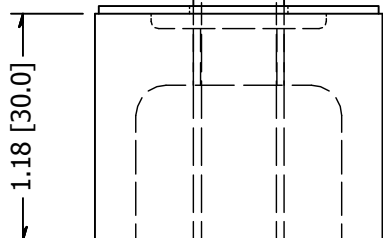
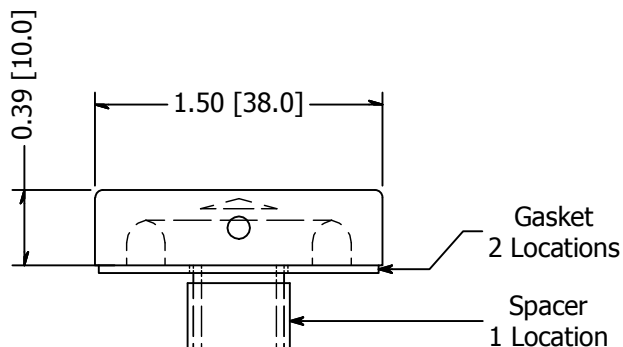
2

1



B

B



Threaded Stud
M12-1.75 x 120mm
1 location

A

A

| | | | | | |
|---|-------------------|---------------|--|---------------------|------|
| TOLERANCE X.X..... = ± .060 X.XX..... = ± .030 X.XXX..... = ± .010 XX°..... = ± 1° UNLESS OTHERWISE NOTED | CUT LENGTH: | FINISH: | DESCRIPTION: Stand-Off, Stainless Steel, 38mm Dia x 30mm Projection, #4 Brushed Finish, 1 type 316 | | |
| | | Satin Brushed | MATERIAL: | MATERIAL DESC: | |
| | DEVELOPED LENGTH: | WEIGHT: | Stainless Steel | 316 Stainless Steel | |
| | | 0.80 lbmass | DATE: | 4/20/2015 | REV: |
| TOOL NUMBER: | | DRAWN BY: | WAGNER COLLABORATIVE METAL WORKS | | |
| | | T. Kolbach | | | |
| | | PART NUMBER: | LX3S3830 | | |

2

1

