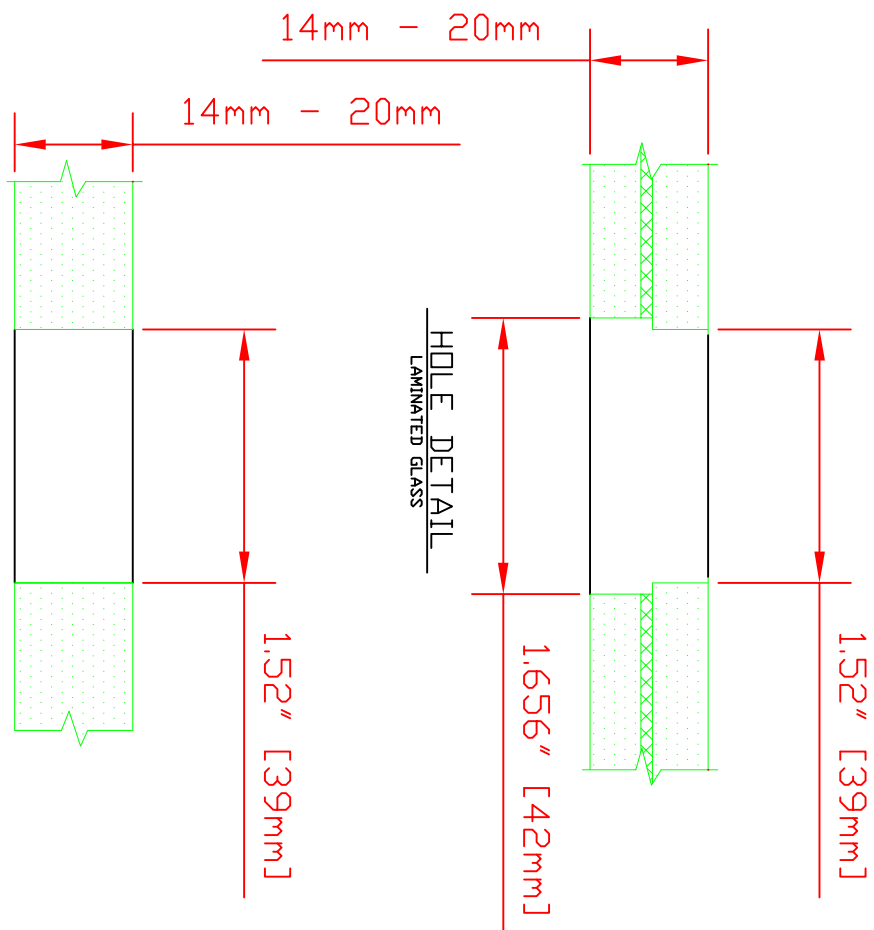
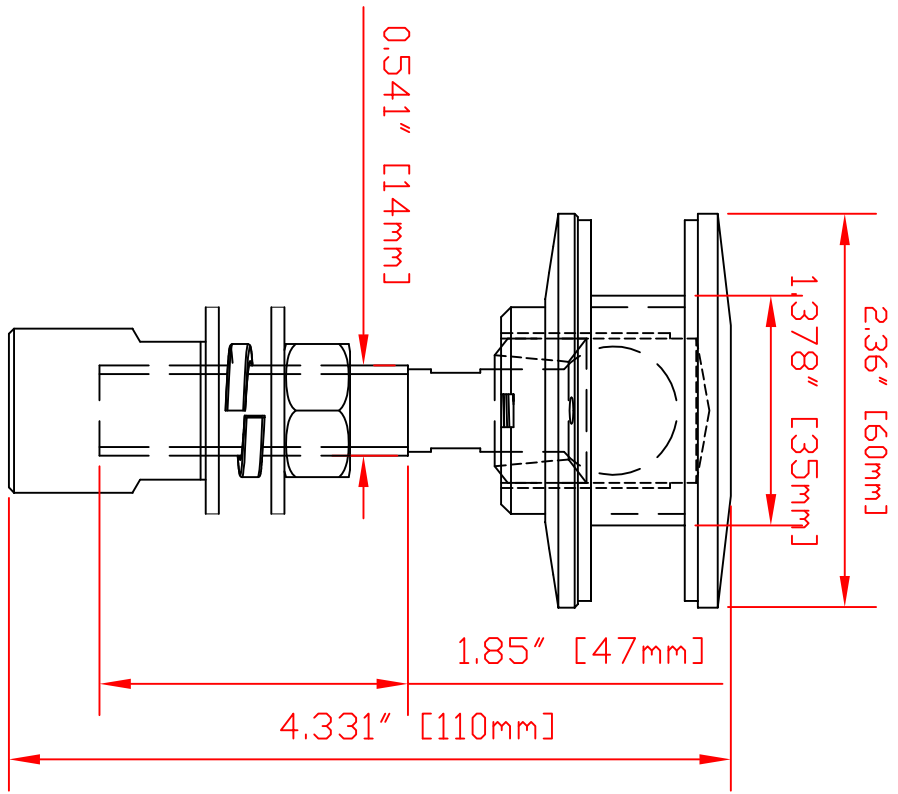



| REVISIONS |             |      |          |
|-----------|-------------|------|----------|
| REV       | DESCRIPTION | DATE | APPROVED |
|           |             |      |          |



DISCLAIMER:  
THIS DRAWING AND THE INFORMATION CONTAINED HEREIN IS FOR GENERAL USE ONLY. THE WAGNER COMPANIES TAKES NO RESPONSIBILITY FOR THE SPECIFICATION OF THIS PRODUCT. PLEASE DO NOT SCALE DRAWINGS.

|             |          |   |  |
|-------------|----------|---|--|
| PART NAME   |          | BOLT 60 MM FLAT HEAD ARTICULATED  |  |
| MATERIAL    |          | STAINLESS STEEL 316   |  |
| DATE        | 04/08/15 |  | THE WAGNER COMPANIES<br>R & B WAGNER, INC. AND J. G. BRAUN CO. |
| DRAWN BY    | TLK      |   |  |
| FINISH      | SATIN    | SIZE  | WEIGHT   |
| PART NUMBER |          | LX3B60FA14  |  |
| REV         |          | -   |  |