

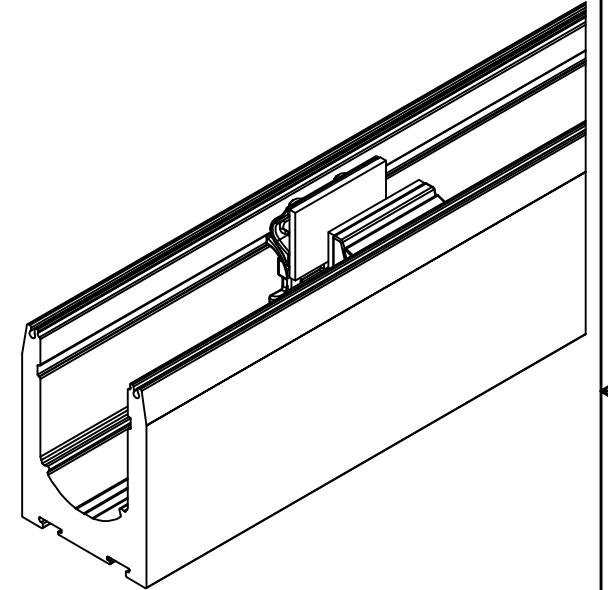
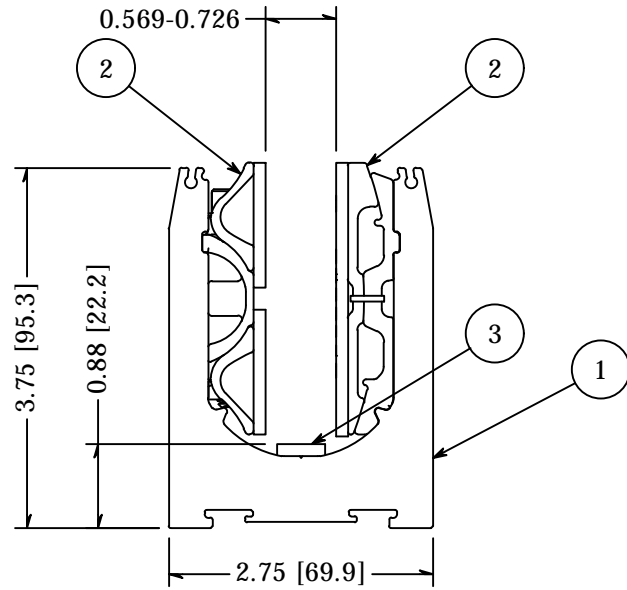
2



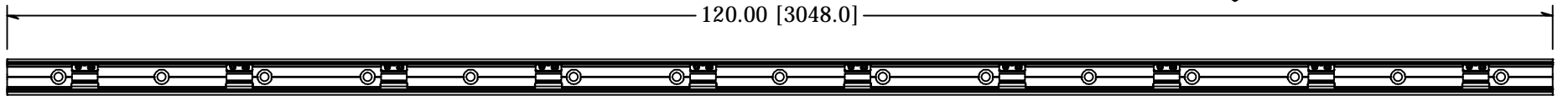
1

## PARTS LIST

| ITEM | QTY | PART NUMBER      | DESCRIPTION  |
|------|-----|------------------|--|
| 1    | 1   | GR2LL5075HCB8-10 | Shoe Moulding, Aluminum, Level lock Plus, For .5 to .75 Glass, 2.75 Wide, 3.75 High, 10 Foot Lengths, Hole Counterbored, 8 in on Center, Mill Finish |
| 2    | 1   | LL5817           | Level Lock Plus, Mechanism 10 Pack, for 5/8" Nominal Glass, .569-.726"   |
| 3    | 1   | GR9LL1250        | Shoe Isolator, Level Lock +, HDPE, 0.125 x 0.50 x 2.00, 10 pack  |



120.00 [3048.0]



4.00 [101.6] TYP.

8.00 [203.2] TYP.

(15) Ø0.63 THRU  
□ Ø1.13

|   |                   |         |   |                            |
|---|-------------------|---------|---|----------------------------|
| <b>TOLERANCE</b><br>X.XX +/- 0.01<br>X.XXX +/- 0.005<br>Angle +/- 0.5<br><br>Unless Otherwise Specified | CUT LENGTH:       | FINISH: | DESCRIPTION: Level Lock Plus, Sales kit, for 5/8", 15mm - 17mm glass, 10ft shoe HCB 8" O.C., W/ Mechanisms  |                            |
|   | DEVELOPED LENGTH: | WEIGHT: | MATERIAL:   | MATERIAL DESC:             |
|   | 10FT              | N/A     | DATE: 4/8/2021  | REV: 1                     |
|   | TOOL NUMBER:      |         | DRAWN BY: A. Seeboth  | PART NUMBER: LL5817.8KIT10 |
|   |                   |         | <b>WAGNER</b> ™<br>10600 W Brown Deer Rd<br>Milwaukee, WI 53224<br>COLLABORATIVE METALWORKS <a href="http://www.wagnercompanies.com/">http://www.wagnercompanies.com/</a> |                            |

2



1