

2

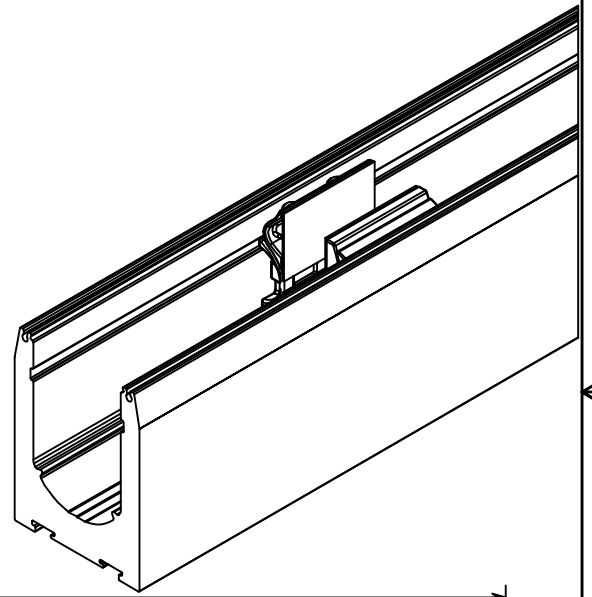
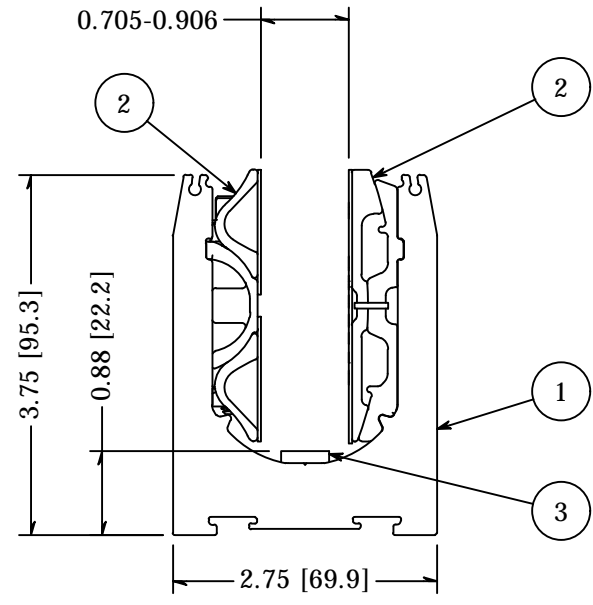


1

PARTS LIST

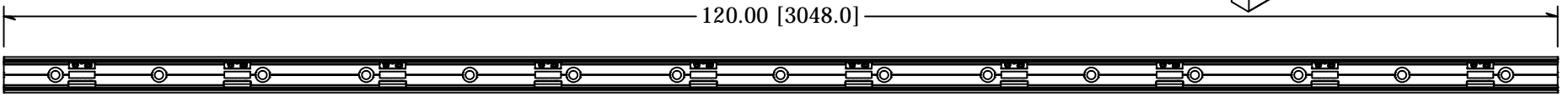
ITEM	QTY	PART NUMBER	DESCRIPTION
1	1	GR2LL5075HCB8-10	Shoe Moulding, Aluminum, Level lock Plus, For .5 to .75 Glass, 2.75 Wide, 3.75 High, 10 Foot Lengths, Hole Counterbored, 8 in on Center, Mill Finish
2	1	LL3421	Level Lock Plus, Mechanism 10 Pack, for 3/4" Nominal Glass, .705-.906"
3	1	GR9LL1250	Shoe Isolator, Level Lock +, HDPE, 0.125 x 0.50 x 2.00, 10 pack

B

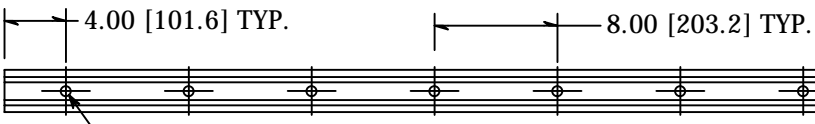


B

120.00 [3048.0]



A



A

(15) Ø0.63 THRU
└┘ Ø1.13

TOLERANCE X.XX +/- 0.01 X.XXX +/- 0.005 Angle +/- 0.5 Unless Otherwise Specified	CUT LENGTH:	FINISH:	DESCRIPTION:	
	DEVELOPED LENGTH:	WEIGHT:	MATERIAL:	MATERIAL DESC:
	TOOL NUMBER:		DATE:	REV:
			DRAWN BY:	
	10FT	MILL	4/8/2021	1
		N/A	A. Seeboth	
			PART NUMBER: LL3421.8KIT10	
			10600 W Brown Deer Rd Milwaukee, WI 53224 COLLABORATIVE METALWORKS http://www.wagnercompanies.com/	

2



1