

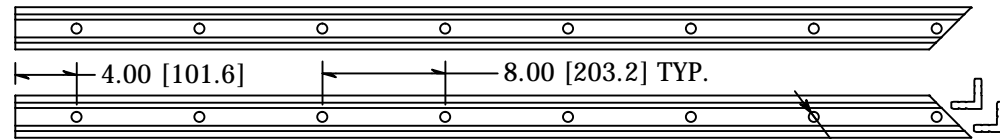
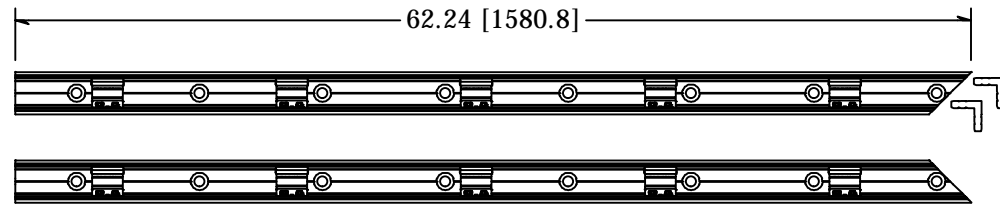
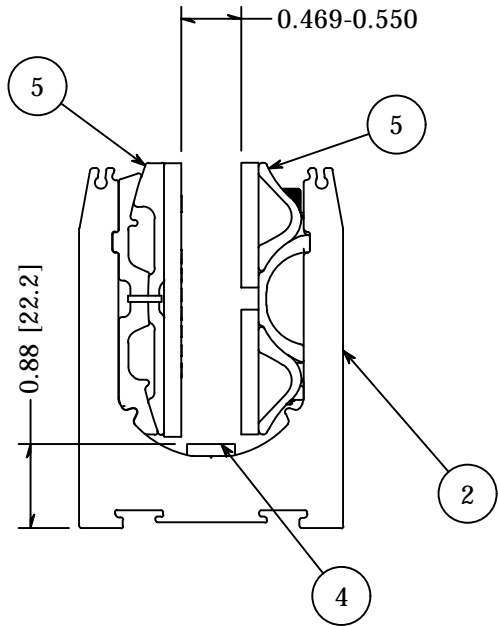
2



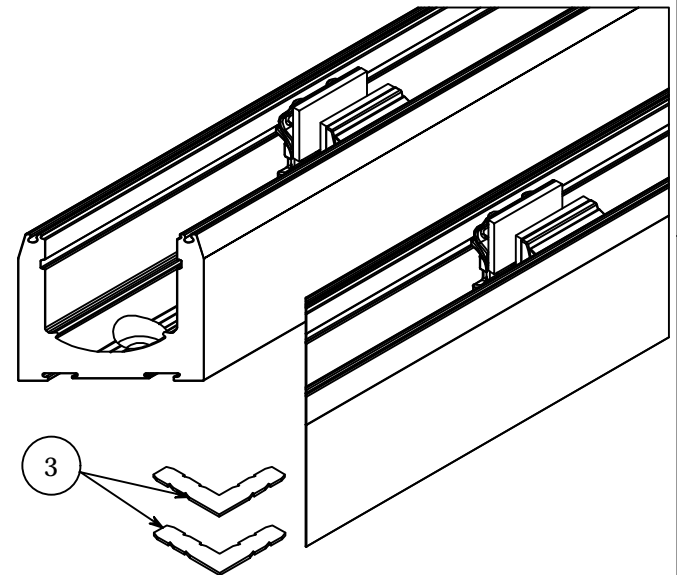
1

PARTS LIST

ITEM	QTY	PART NUMBER	DESCRIPTION
1	1	GR2LL5075HCBMKL8	Shoe Moulding, Aluminum, Level lock Plus, For .5 to .75 Glass, 2.75 Wide, 3.75 High, Mitered Corner Left, 5ft length, Hole Counterbored, 8 in on Center, Mill Finish
2	1	GR2LL5075HCBMKR8	Shoe Moulding, Aluminum, Level lock Plus, For .5 to .75 Glass, 2.75 Wide, 3.75 High, Mitered Corner Right, 5ft length, Hole Counterbored, 8 in on Center, Mill Finish
3	1	GR2LLAT090	Level Lock Plus, Shoe Alignment Tabs, 90 Degree Corner, Pack of 4, Aluminum
4	1	GR9LL1250	Shoe Isolator, Level Lock +, HDPE, 0.125 x 0.50 x 2.00, 10 pack
5	1	LL1213	Level Lock Plus, Mechanism 10 Pack, for 1/2" Nominal Glass, .469-.550"



(16) Ø0.63 THRU
 Ø1.13



TOLERANCE X.XX +/- 0.01 X.XXX +/- 0.005 Angle +/- 0.5 Unless Otherwise Specified	CUT LENGTH:	FINISH:	DESCRIPTION: Level Lock Plus, Kit, for 1/2"-9/16", 13mm glass, 5ft Mitered Corner shoe set, Drilled 8in on Center, W/ Mechanisms	
	DEVELOPED LENGTH:	WEIGHT:	MATERIAL:	MATERIAL DESC:
	5 FT	N/A	DATE: 4/7/2021	REV: 1
	TOOL NUMBER:		DRAWN BY: A. Seeboth	10600 W Brown Deer Rd Milwaukee, WI 53224 COLLABORATIVE METALWORKS http://www.wagnercompanies.com/
		PART NUMBER: LL1213.8KITMK		

2



1