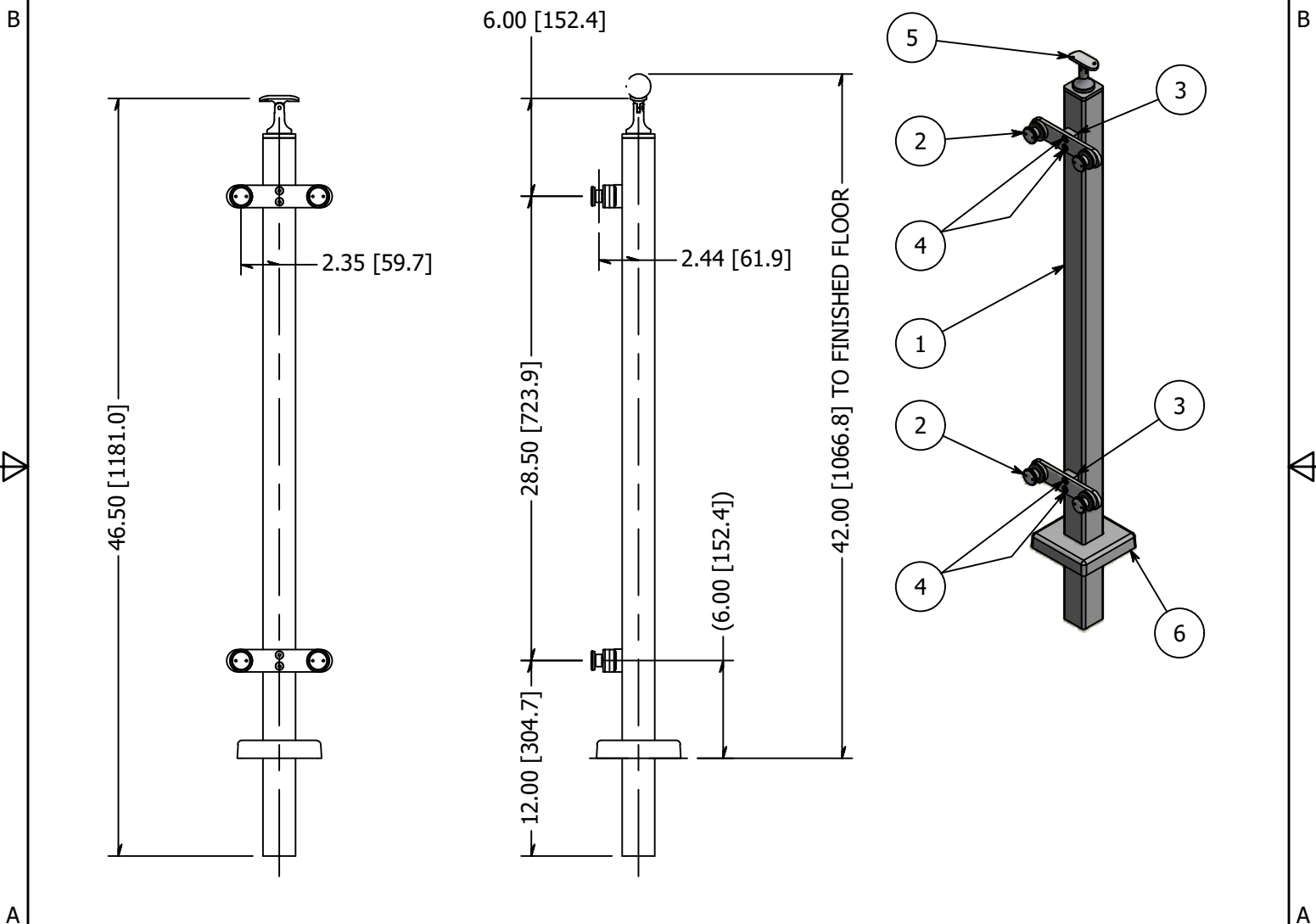



PARTS LIST

ITEM	QTY	PART NUMBER	DESCRIPTION
1	1	LG32242FEMA	Post, Stainless Steel, 2.00 Inch Square x 0.12 Inch Wall, 42 High, Brushed Satin Finish, Grade 316, Embed Mount, Post Assembly
2	2	LXFP30-2	Point Fitting, Stainless Steel, 30 mm Head, 2 Point, Flat Plate, Brushed Satin Finish, Grade 316, 0.50 Inch Glass
3	2	LXFP30-FLAT	Point Fitting, Stainless Steel, Flat Adapter, Brushed Satin Finish, Grade 316
4	4	FAH3NM06C-0030	Screw, Stainless Steel, M6-1.0 x 30mm, Socket Flat Head Machine Screw, A4-70
5	1	SS507	SADDLE, SWIVEL, CAST W/ HOLES
6	1	LG322SMC	Flange, Stainless Steel, Snap-On Cover For 2 Inch Square Tube, Satin Brushed Finish, Type 316



REVISION HISTORY			
REV	DESCRIPTION	DATE	APPROVED
2	Wall Thickness was changed from 0.25 to 0.12 and the corner radii from .375 to .188 on the square post. ADDED (1) ITEM 6 (P/N LG322SMC).	3/13/2019	ATM

<b>TOLERANCE</b> X.X..... = ± .060 X.XX..... = ± .030 X.XXX..... = ± .010  XX°..... = ± 1°  UNLESS OTHERWISE NOTED	MATERIAL: 316 Stainless	DESCRIPTION: Intermediate Post, Stainless Steel, 2.00 Inch Square x 0.12 Inch Wall, 42 High, Brushed Satin Finish, Grade 316, Embed Mnt, Fit Pit	
	FINISH: Satin Brushed	DATE: 9/5/2019	REV: 2
	WEIGHT: N/A	DRAWN BY: T. Kolbach	
	ITEM NUMBER: LG32242DMEM.4		 COLLABORATIVE METAL WORKS