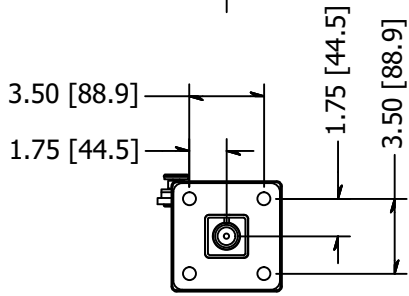
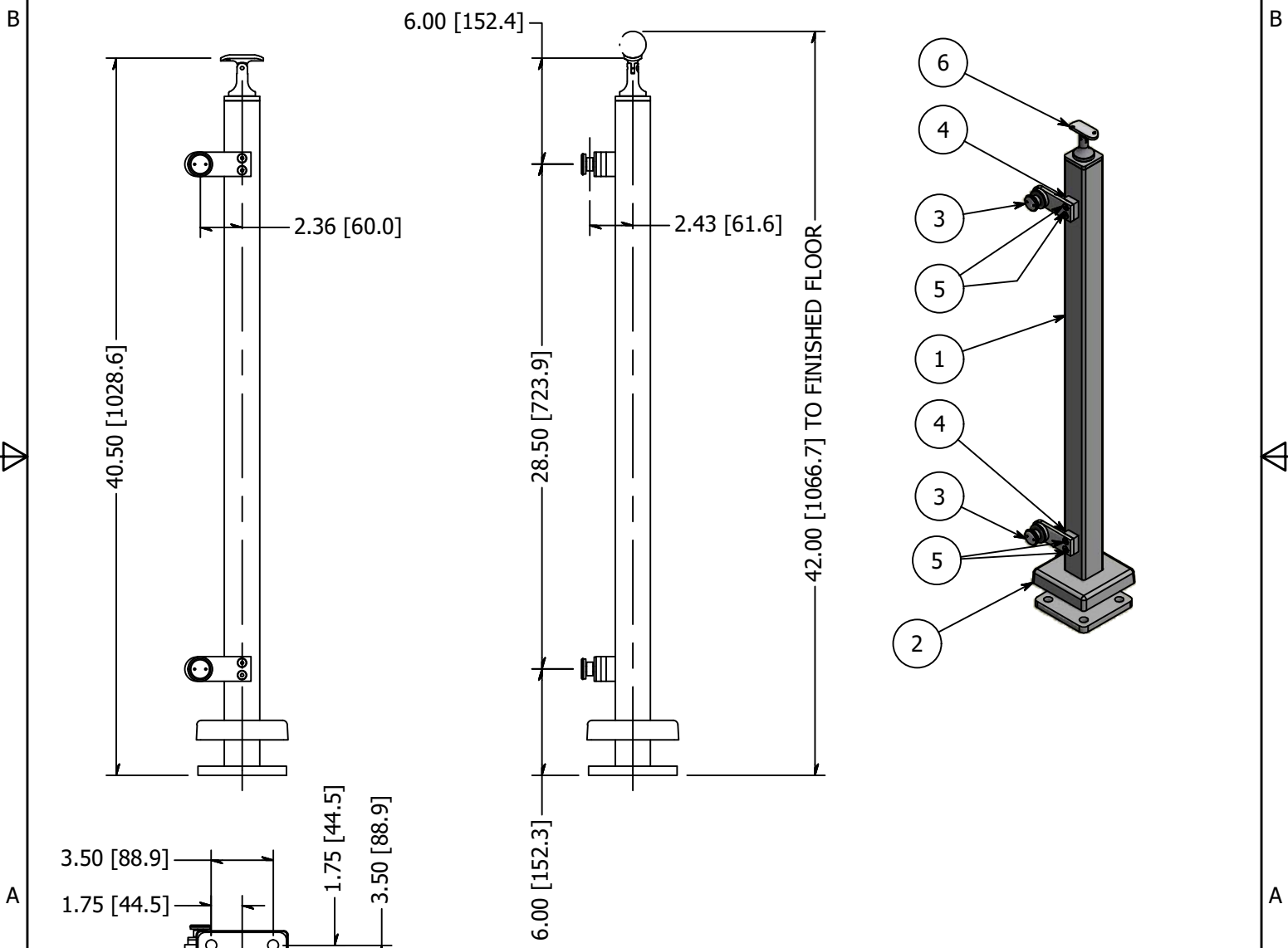


PARTS LIST

ITEM	QTY	PART NUMBER	DESCRIPTION
1	1	LG32242FSMA	Post, Stainless Steel, 2.00 Inch Square x 0.12 Inch Wall, 42 High, Brushed Satin Finish, Grade 316, Surface Mount, Post Assm
2	1	LG322SMC	Flange, Stainless Steel, Snap-On Cover For 2 Inch Square Tube, Satin Brushed Finish, Type 316
3	2	LXFP30-1	Point Fitting, Stainless Steel, 30 mm Head, 1 Point, Flat Plate, Brushed Satin Finish, Grade 316, 0.50 Inch Glass
4	2	LXFP30-FLAT	Point Fitting, Stainless Steel, Flat Adapter, Brushed Satin Finish, Grade 316
5	4	FAH3NM06C-0030	Screw, Stainless Steel, M6-1.0 x 30mm, Socket Flat Head Machine Screw, A4-70
6	1	SS507	SADDLE, SWIVEL, CAST W/ HOLES



REVISION HISTORY			
REV	DESCRIPTION	DATE	APPROVED
2	Wall Thickness was changed from 0.25 to 0.12 and the corner radii from .375 to .188 on the square post	3/13/2019	ATM

TOLERANCE X.X..... = ± .060 X.XX..... = ± .030 X.XXX..... = ± .010 XX°..... = ± 1° UNLESS OTHERWISE NOTED	MATERIAL:	316 Stainless		
	FINISH:	Satin Brushed		
	WEIGHT:	N/A		
	DESCRIPTION:	End Post, Stainless Steel, 2.00 Inch Square x 0.12 Inch Wall, 42 High, Brushed Satin Finish, Grade 316, Surface Mount, Flat Plt		
	DATE:	9/9/2019	REV:	2
	DRAWN BY:	T. Kolbach		
	ITEM NUMBER:	LG32242DESM.4		
			WAGNER COLLABORATIVE METAL WORKS	