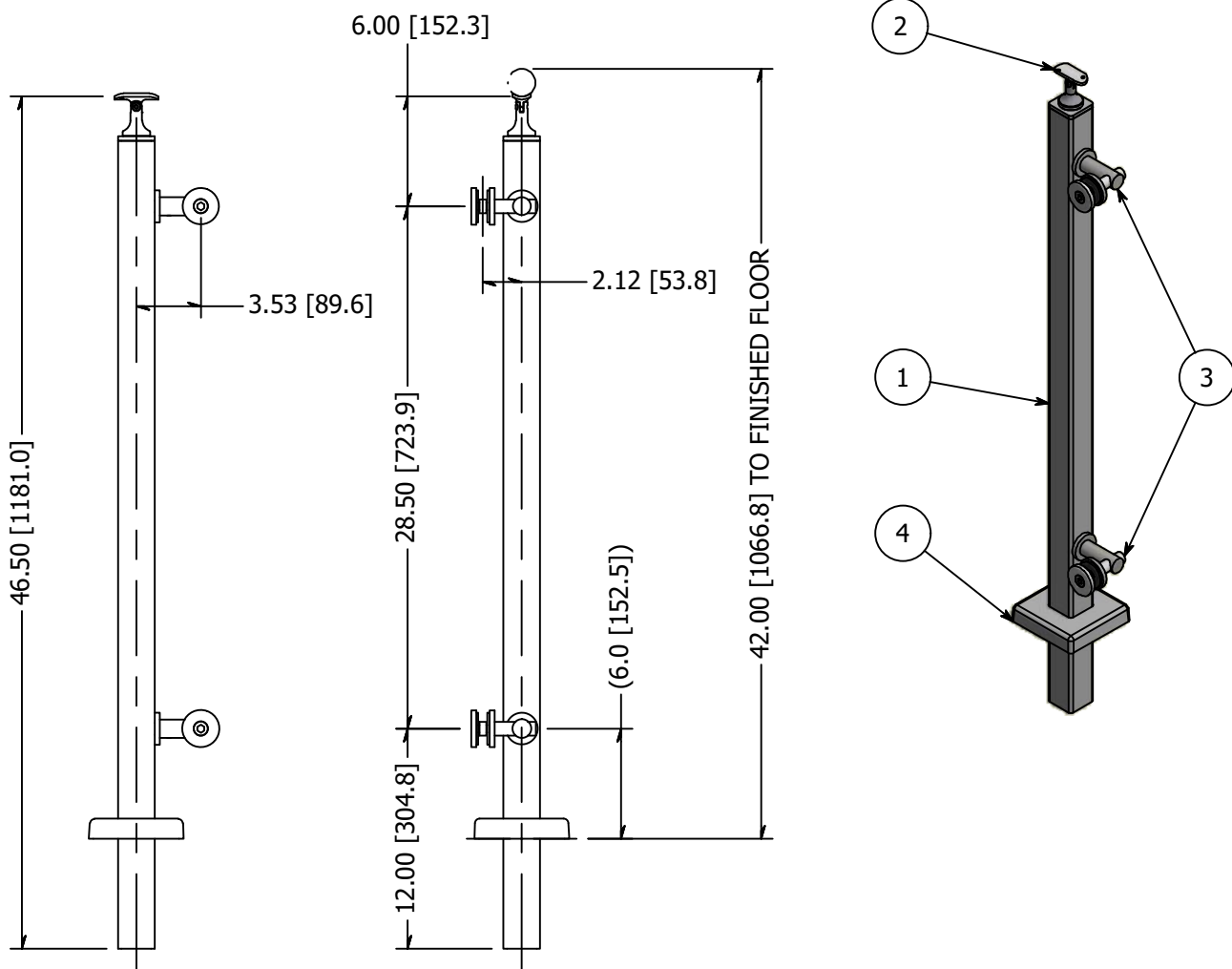



PARTS LIST

ITEM	QTY	PART NUMBER	DESCRIPTION
1	1	LG32242EEMA	End Post, Stainless Steel, 2.00 Inch Square x 0.12 Inch Wall, 42 High, Brushed Satin Finish, Grade 316, Embed Mount, Post Assm
2	1	SS507	SADDLE, SWIVEL, CAST W/ HOLES
3	2	LXTB51-1	Point Fitting, Stainless Steel, 51 mm Head, 1 Point, Tubular Body, Brushed Satin Finish, Grade 316, 0.50 Inch Glass
4	1	LG322SMC	Flange, Stainless Steel, Snap-On Cover For 2 Inch Square Tube, Satin Brushed Finish, Type 316



REVISION HISTORY			
REV	DESCRIPTION	DATE	APPROVED
1	Revised to Metric	3/24/15	TLK
2	Revised LXTB51-1 to LX51FBS	10/27/2015	KGB
3	Revised LX51FBS to LXTB51-1	8/24/2016	TLK
4	Wall Thickness was changed from 0.25 to 0.12 and the corner radii from .375 to .188 on the square post. ADDED (1) ITEM 4 (P/N LG322SMC).	3/13/2019	ATM

TOLERANCE X.X..... = ± .060 X.XX..... = ± .030 X.XXX..... = ± .010 XX°..... = ± 1° UNLESS OTHERWISE NOTED	MATERIAL:	316 Stainless		
	FINISH:	Satin Brushed	DATE:	9/5/2019
	WEIGHT:	N/A	DRAWN BY:	T. Kolbach
			REV:	4
		DESCRIPTION:	End Post, Stainless Steel, 2.00 Inch Square x 0.12 Inch Wall, 42 High, Brushed Satin Finish, Grade 316, Embed Mount, 2-Point	
		ITEM NUMBER:	LG32242CEEM.4	
		 COLLABORATIVE METAL WORKS		