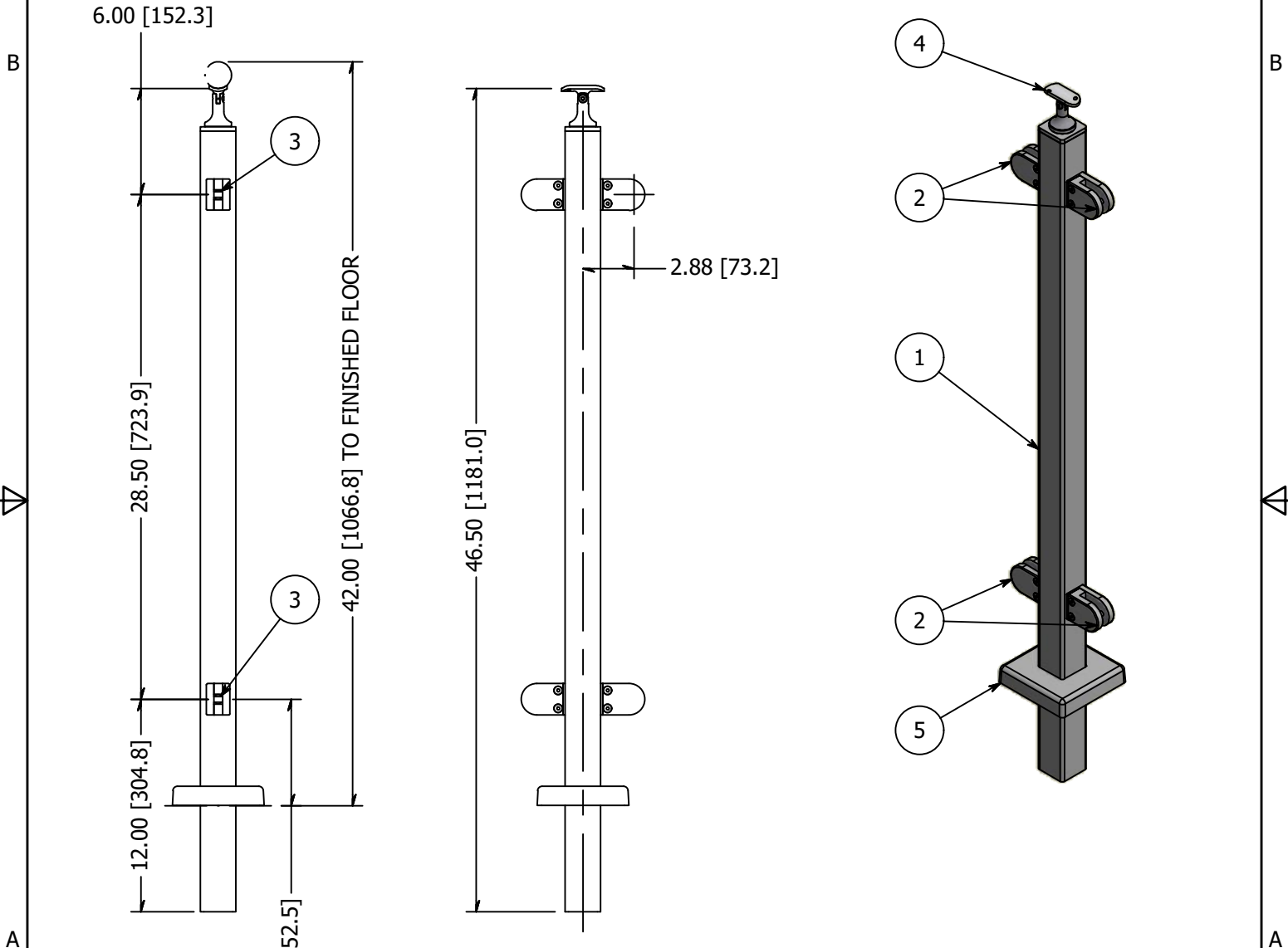




PARTS LIST

ITEM	QTY	PART NUMBER	DESCRIPTION
1	1	LG32242MEMA	Intermediate Post, Stainless Steel, 2.00 Inch Square x 0.12 Inch Wall, 42 High, Brushed Satin Finish, Grade 316, Embed Mount, Assm
2	4	GR310F.4-R	Clip, Stainless Steel, Panel Mounting, Flat Base, Round Type, #4 Satin Finish, Type 316
3	4	SHC3NM08C-0020	Screw, Stainless Steel, M8-1.25 x 20mm, Socket Head Cap Screw, A4-70
4	1	SS507	SADDLE, SWIVEL, CAST W/ HOLES
5	1	LG322SMC	Flange, Stainless Steel, Snap-On Cover For 2 Inch Square Tube, Satin Brushed Finish, Type 316



REVISION HISTORY			
REV	DESCRIPTION	DATE	APPROVED
2	Wall Thickness was changed from 0.25 to 0.12 and the corner radii from .375 to .188 on the square post. ADDED (1) ITEM 5 (P/N LG322SMC).	3/13/2019	ATM

TOLERANCE X.X..... = ± .060 X.XX..... = ± .030 X.XXX..... = ± .010 XX°..... = ± 1° UNLESS OTHERWISE NOTED	MATERIAL: 316 Stainless	DESCRIPTION: Intermediate Post, Stainless Steel, 2.00 Inch Square x 0.12 Inch Wall, 42 High, Brushed Satin Finish, Grade 316, Embed Mnt, Rnd	
	FINISH: Satin Brushed	DATE: 8/16/2019	REV: 2
	WEIGHT: N/A	DRAWN BY: T. Kolbach	
	ITEM NUMBER: LG32242BMEM.4		

