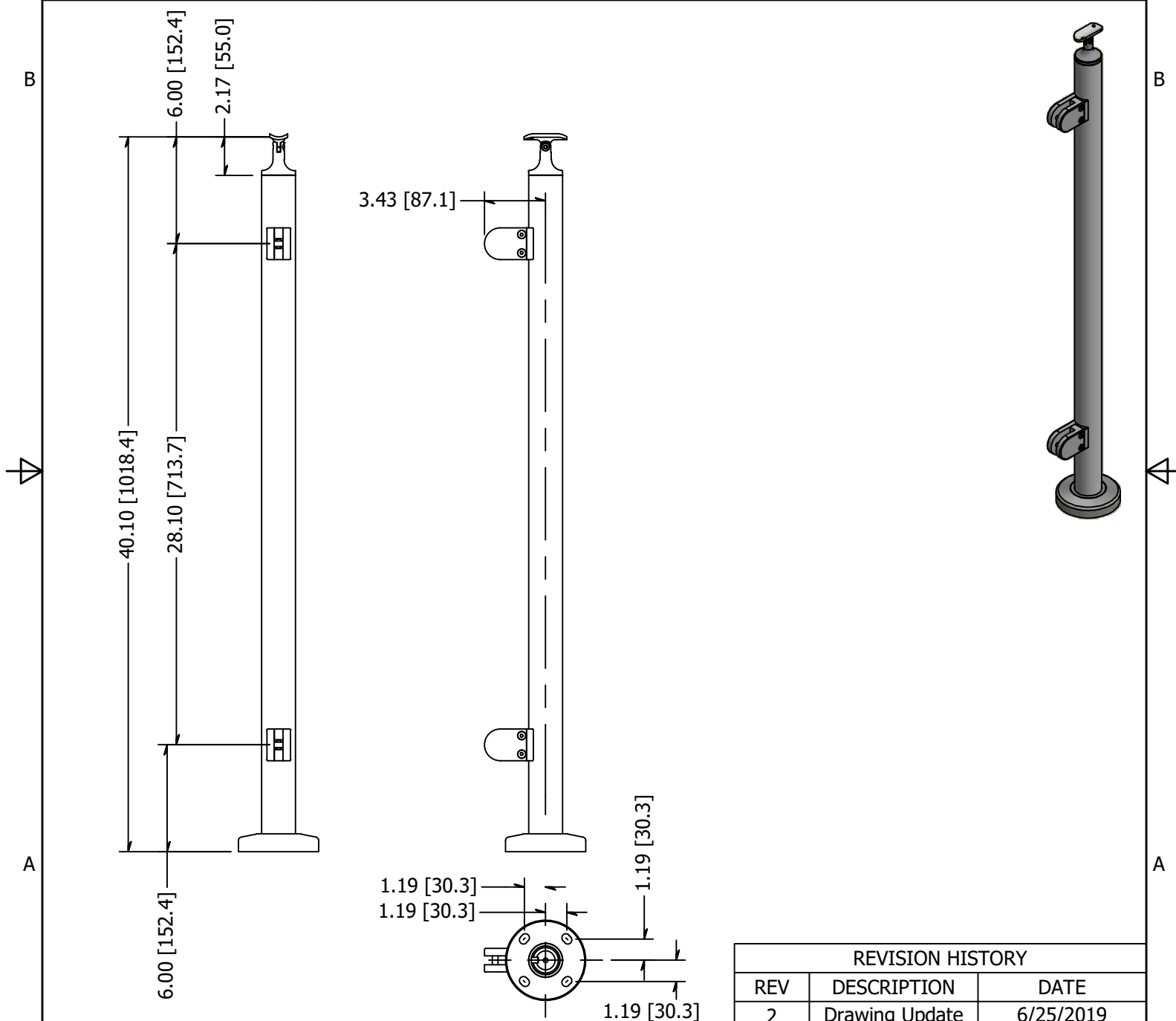


PARTS LIST

ITEM	QTY	PART NUMBER	DESCRIPTION
1	1	LG31942ESMA	End Post, Stainless Steel, 1-1/2 Inch Pipe (1.90 OD) Sch 40, 42 High, Brushed Satin Finish, Grade 316, Surface Mount, Post Assm
2	1	2077.316.4	FLANGE SS SNAPON COVER 1.90 316 #4
3	2	GR310R.4-R	Clip, Stainless Steel, Panel Mounting, Radius Base for 1-1/2" Pipe, Square Type, #4 Satin Finish, Type 316
4	2	SHC3NM08C-0020	Screw, Stainless Steel, M8-1.25 x 20mm, Socket Head Cap Screw, A4-70
5	1	SS507	SADDLE, SWIVEL, CAST W/ HOLES



REVISION HISTORY		
REV	DESCRIPTION	DATE
2	Drawing Update	6/25/2019

<b>TOLERANCE</b>  UNLESS OTHERWISE NOTED, TOLERANCES TO CONFORM TO ES.03.011	MATERIAL: 316 Stainless	DESCRIPTION: End Post, Stainless Steel, 1-1/2 Inch Pipe (1.90 OD) Sch 40, 42 High, Brushed Satin Finish, Grade 316, Surface Mount, Rnd Clips	
	FINISH: Satin Brushed	DATE: 6/25/2019	REV: 2
	WEIGHT: N/A	DRAWN BY: T. Kolbach	
		ITEM NUMBER: LG31942BESM.4	


 10600 W Brown Deer Rd  
 Milwaukee, WI 53224  
 COLLABORATIVE METALWORKS <http://www.wagnercompanies.com/>