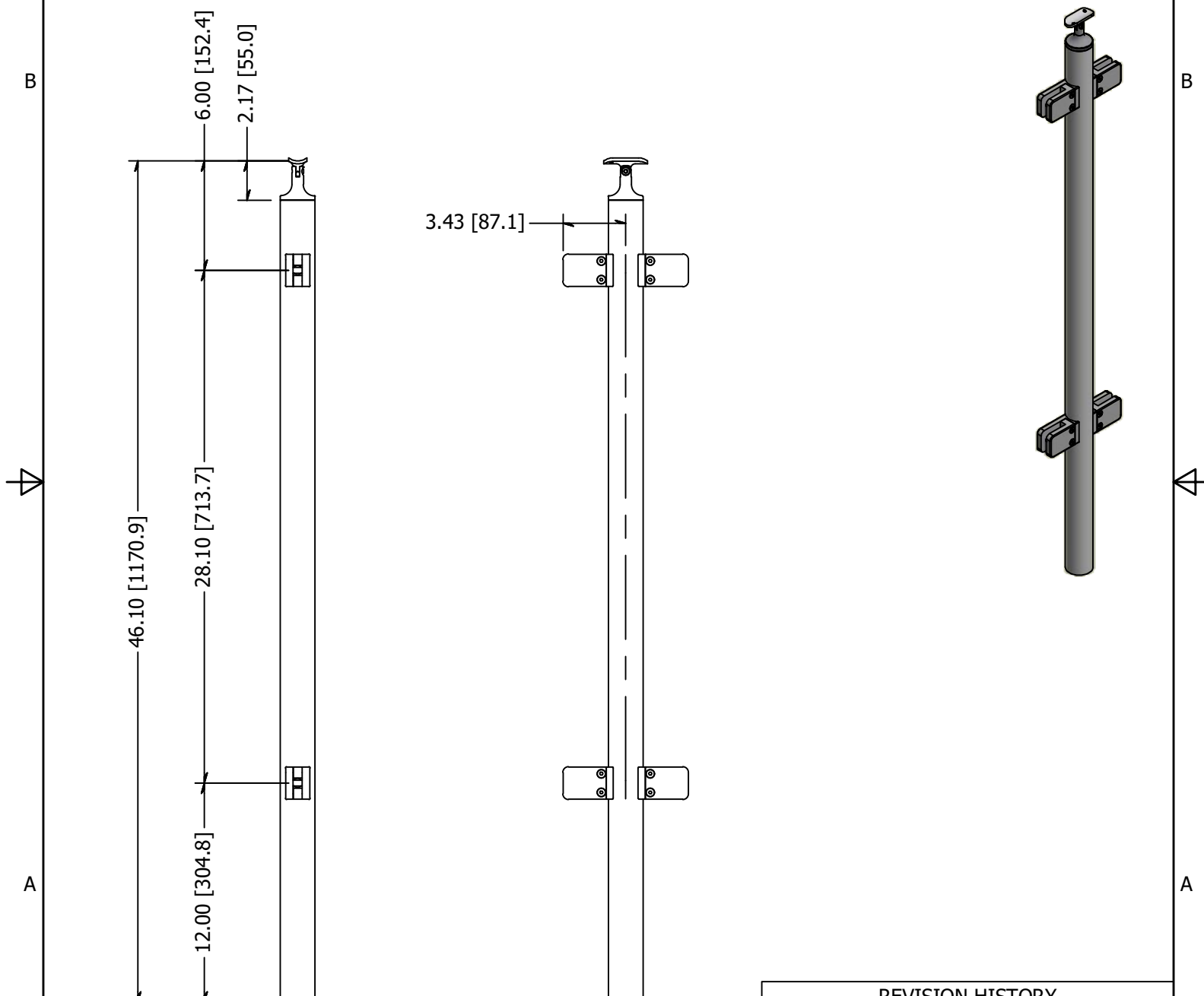




PARTS LIST

ITEM	QTY	PART NUMBER	DESCRIPTION
1	1	LG31942MEMA	Intermediate Post, Stainless Steel, 1-1/2 Inch Pipe (1.90 OD) Sch 40, 42 High, Brushed Satin Finish, Grade 316, Embed Mnt, Assm
2	4	GR310R.4	Clip, Stainless Steel, Panel Mounting, Radius Base for 1-1/2" Pipe, Square Type, #4 Satin Finish, Type 316
3	4	SHC3NM08C-0020	Screw, Stainless Steel, M8-1.25 x 20mm, Socket Head Cap Screw, A4-70
4	1	SS507	SADDLE, SWIVEL, CAST W/ HOLES



REVISION HISTORY		
REV	DESCRIPTION	DATE
2	Drawing Update	6/25/2019

TOLERANCE UNLESS OTHERWISE NOTED, TOLERANCES TO CONFORM TO ES.03.011	MATERIAL: 316 Stainless	DESCRIPTION: Intermediate Post, Stainless Steel, 1-1/2 Inch Pipe (1.90 OD) Sch 40, 42 High, Brushed Satin Finish, Grade 316, Embed Mount, Sq	
	FINISH: Satin Brushed	DATE: 6/25/2019	REV: 2
	WEIGHT: 15.91 lbmass	DRAWN BY: T. Kolbach	
	ITEM NUMBER: LG31942MEM.4		


 10600 W Brown Deer Rd
 Milwaukee, WI 53224
 COLLABORATIVE METALWORKS <http://www.wagnercompanies.com/>

