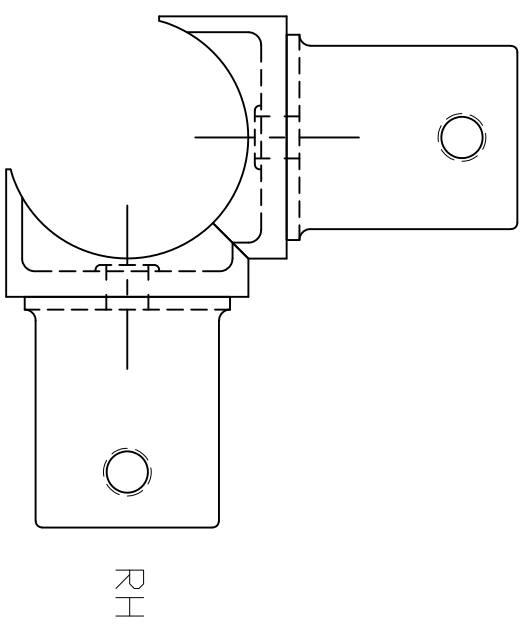
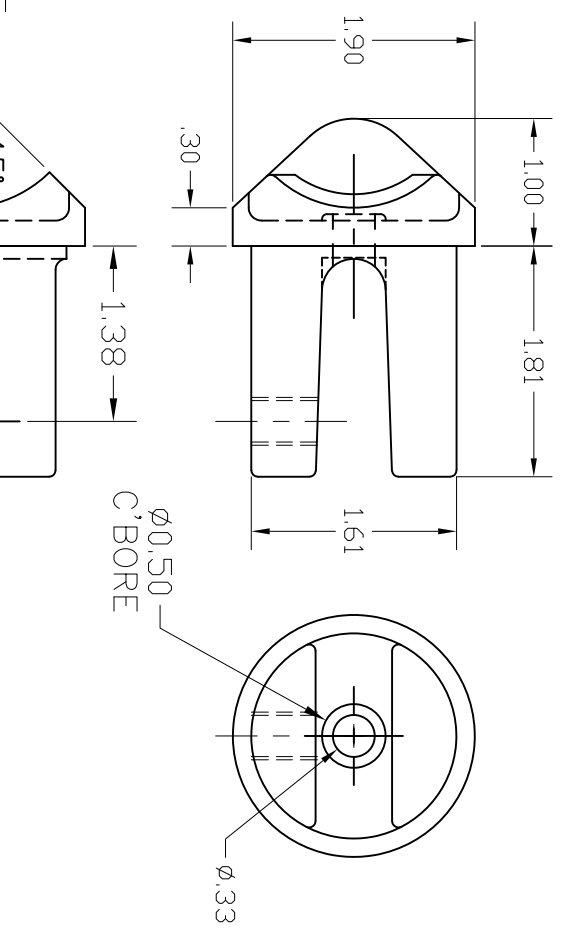



PART NUMBER IR159 SH REV A

| REVISIONS |                             |          |          |
|-----------|-----------------------------|----------|----------|
| REV       | DESCRIPTION                 | DATE     | APPROVED |
| A         | ADDED ASSEMBLY VIEW FOR REF | 09/28/17 | RJF      |



RIGHT HAND HALF - SHOWN  
LEFT HAND HALF - OPPOSITE

- EACH CORNER SET INCLUDES:
- (1) RH
  - (1) LH
  - (2) 3/8-16 SET-SCREWS
  - (2) 5/16-18 MOUNTING SCREWS
  - (2) 5/16" LOCK WASHERS
  - (2) 5/16-18 TUBULAR RIVETS

|             |                |  |             |
|-------------|----------------|--|-------------|
| PART NAME   |                | INTERNA-RAIL CORNER  |             |
| MATERIAL    |                | CAST ALUMINUM AL 535   |             |
| DATE        | 08/18/92       | <br><b>THE WAGNER COMPANIES</b><br>R & B WAGNER, INC. AND J. G. BRAUN CO. | PART NUMBER |
| DRAWN BY    | RJF            |  |             |
| FINISH      | CLEAR ANODIZED | SIZE   | A           |
| WEIGHT      | .64 LBS        | REV  | A           |
| PART NUMBER |                | IR159  |             |