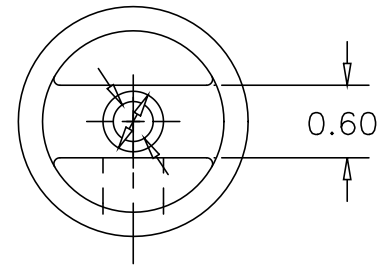
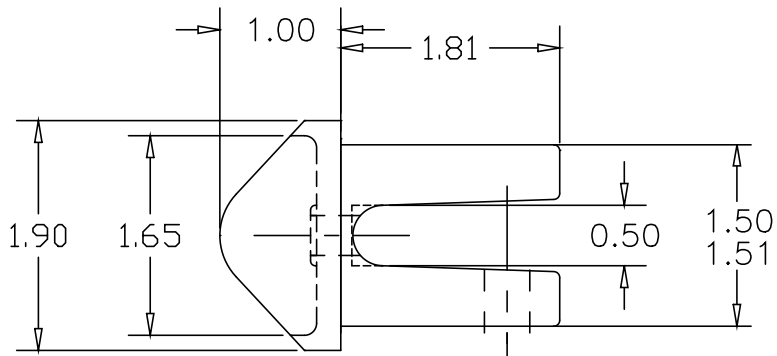
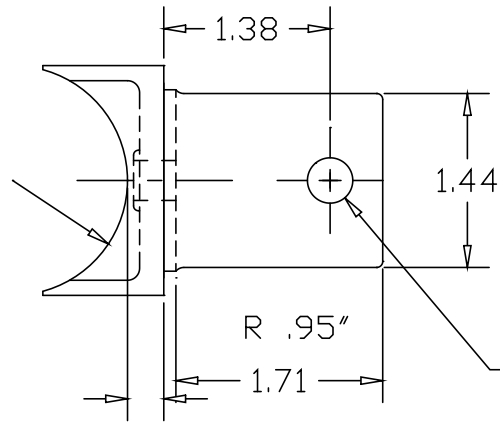


REVISIONS			
REV	DESCRIPTION	DATE	APPROVED




∅0.50
C'BORE

∅0.33



3/8-16 THD.
ONE SIDE

MATERIAL	CAST ALUMINUM	PART NAME	TEE
DATE	3/30/10		R & B WAGNER, INC.
DRAWN BY	PWH		
FINISH		SIZE	A
		JOB NUMBER	
		PART NUMBER	IR158
		REV	1