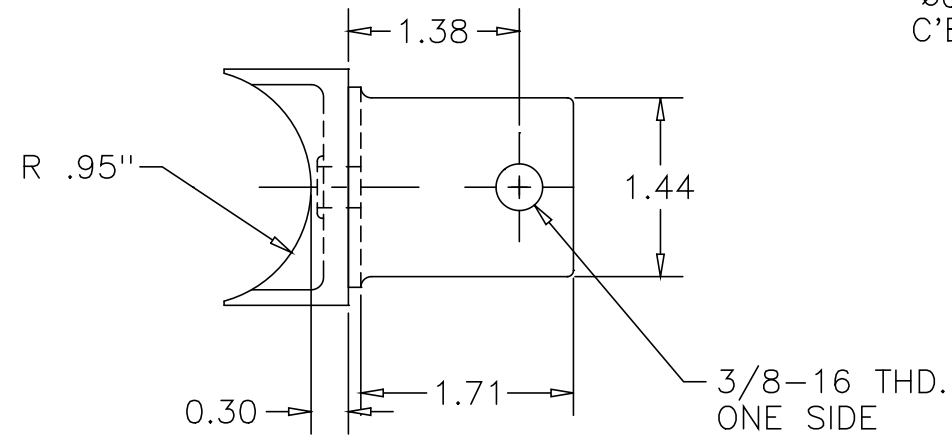
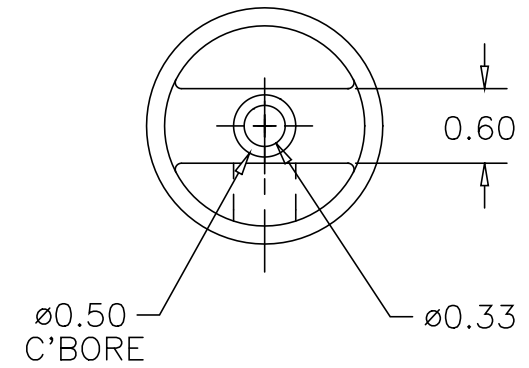
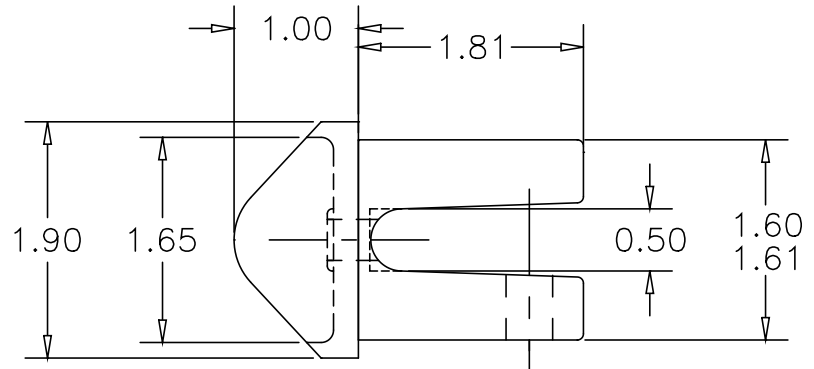



REVISIONS			
REV	DESCRIPTION	DATE	APPROVED



MATERIAL	CAST ALUMINUM	PART NAME	TEE
DATE	8/18/92		R & B WAGNER, INC.
DRAWN BY	RJF		
FINISH		SIZE	JOB NUMBER
		A	
		PART NUMBER	IR155
		REV	