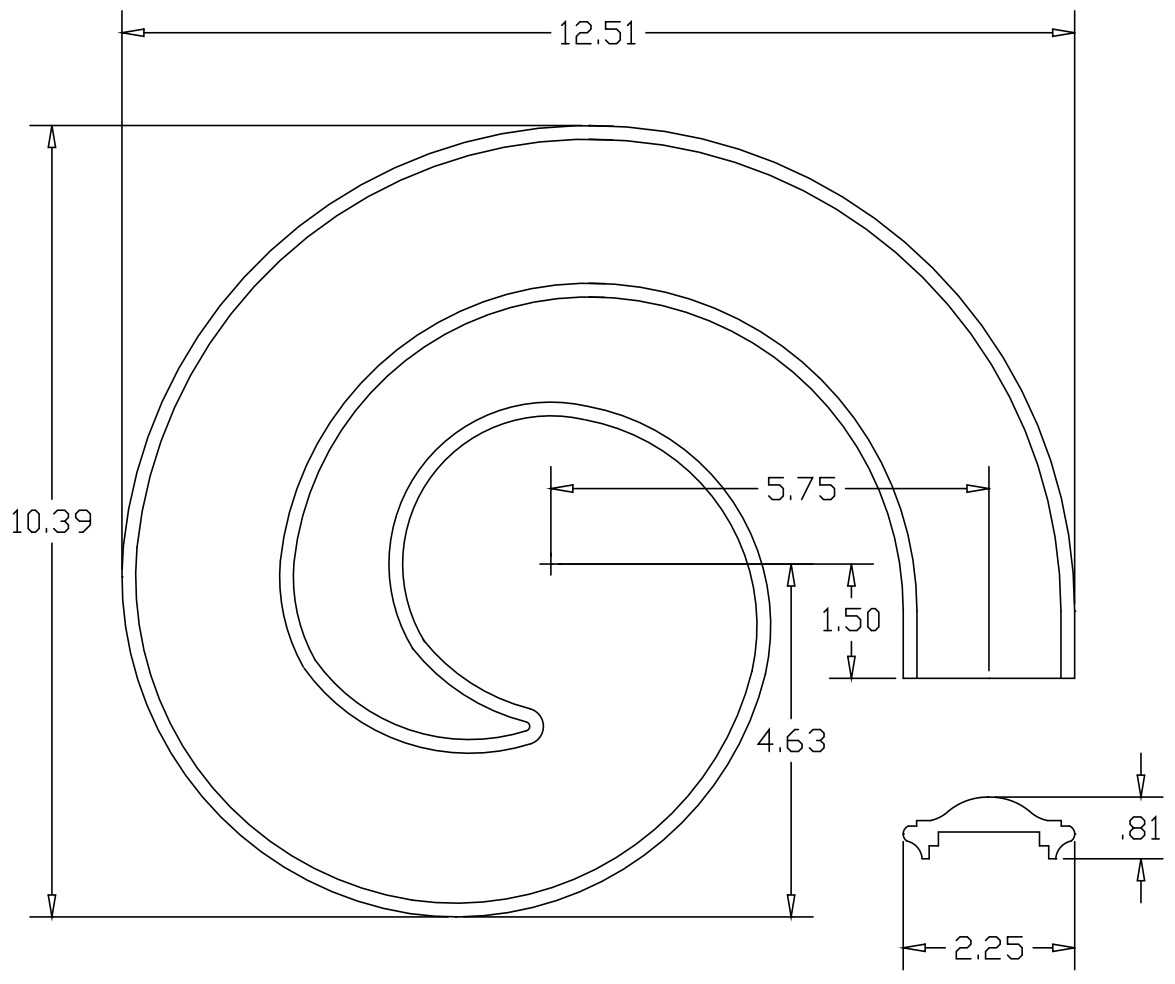



REV
SH
DWG NO H5853AR

REVISIONS			
REV	DESCRIPTION	DATE	APPROVED



PART NAME		SENIOR LATERAL SCROLL, RIGHT HAND		
MATERIAL		85-3/5 ALLOY BRONZE		
DATE	12/17/03		THE WAGNER COMPANIES R & B WAGNER, INC. AND J. G. BRAUN CO.	
DRAWN BY	RJF			
FINISH	SATIN	SIZE	WEIGHT	PART NUMBER
		A	9.68 LBS	H5853AR
				REV