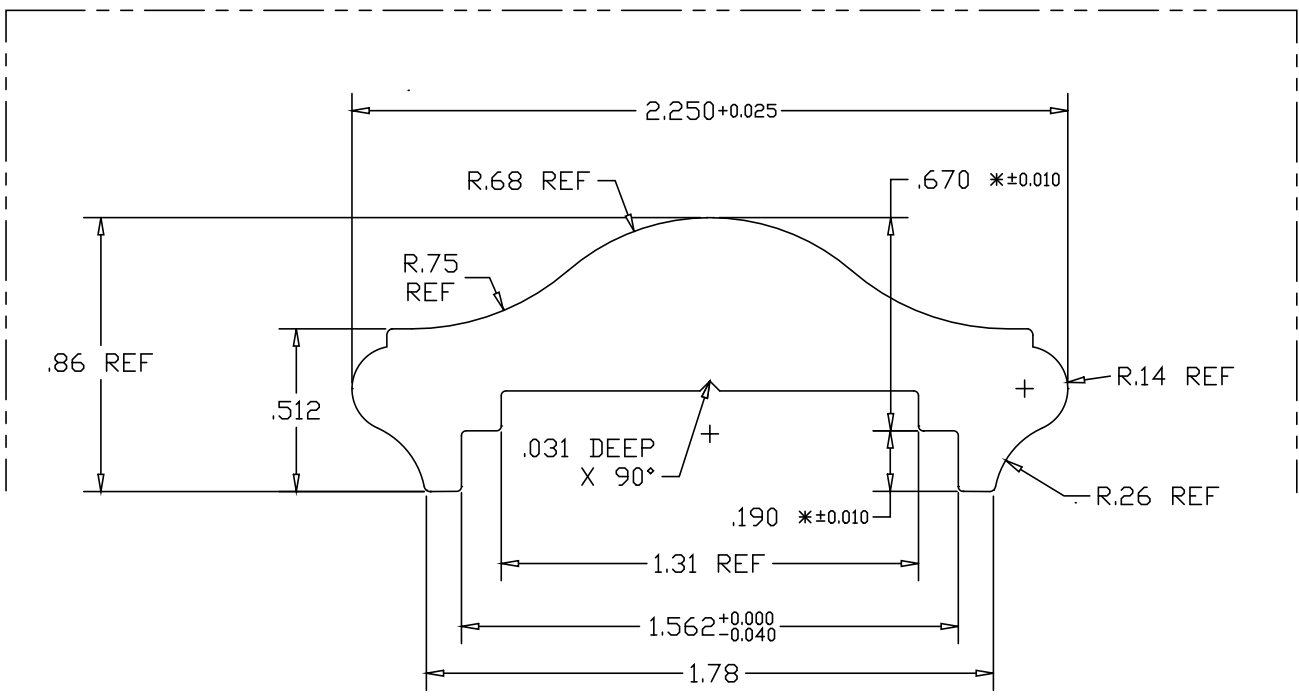


PART NUMBER	H5853	SH	REV
-------------	-------	----	-----

REVISIONS			
REV	DESCRIPTION	DATE	APPROVED


EXPOSED SURFACE



* NOTE: TOTAL TOLERANCE ACROSS BOTH DIMENSIONS ±.020

UNLESS OTHERWISE SPECIFIED DIMENSIONS ON THIS DRAWING ARE SUBJECT TO THE FOLLOWING TOLERANCES:

X.X = ±.100 ANGLES ±1°
 X.XX = ±.030
 X.XXX = ±.010

PART NAME		385 BRONZE HANDRAIL MOULDING	
MATERIAL		C38500 ALLOY EXTRUDED BRONZE	
DATE	1/03/08		THE WAGNER COMPANIES R & B WAGNER, INC. AND J. G. BRAUN CO.
DRAWN BY	RDC		
FINISH	MILL	SIZE	WEIGHT
		A	2.951 LBS/FT
		PART NUMBER	H5853
		REV	