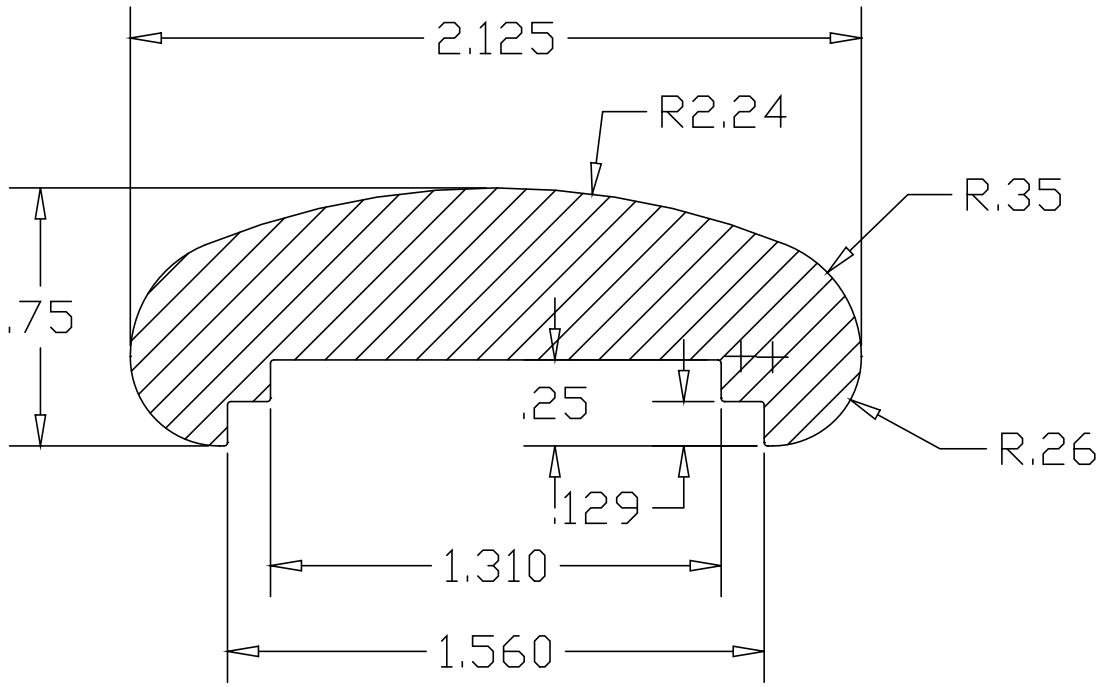


REV
SH
H2904
DWG NO

REVISIONS			
REV	DESCRIPTION	DATE	APPROVED



BREAK SHARP CORNERS .015R

UNLESS OTHERWISE SPECIFIED
DIMENSIONS ON THIS DRAWING
ARE SUBJECT TO THE
FOLLOWING TOLERANCES:

X.X	=	.100
X.XX	=	.030
X.XXX	=	.010

PART NAME		EXTRUDED ALUMINUM HANDRAIL	
MATERIAL		6063-T52 ALUMINUM	
DATE	10/08/03		THE WAGNER COMPANIES R & B WAGNER, INC. AND J. G. BRAUN CO.
DRAWN BY	RJF		
FINISH	MILL	SIZE	WEIGHT
		A	
		PART NUMBER	H2904
		REV	