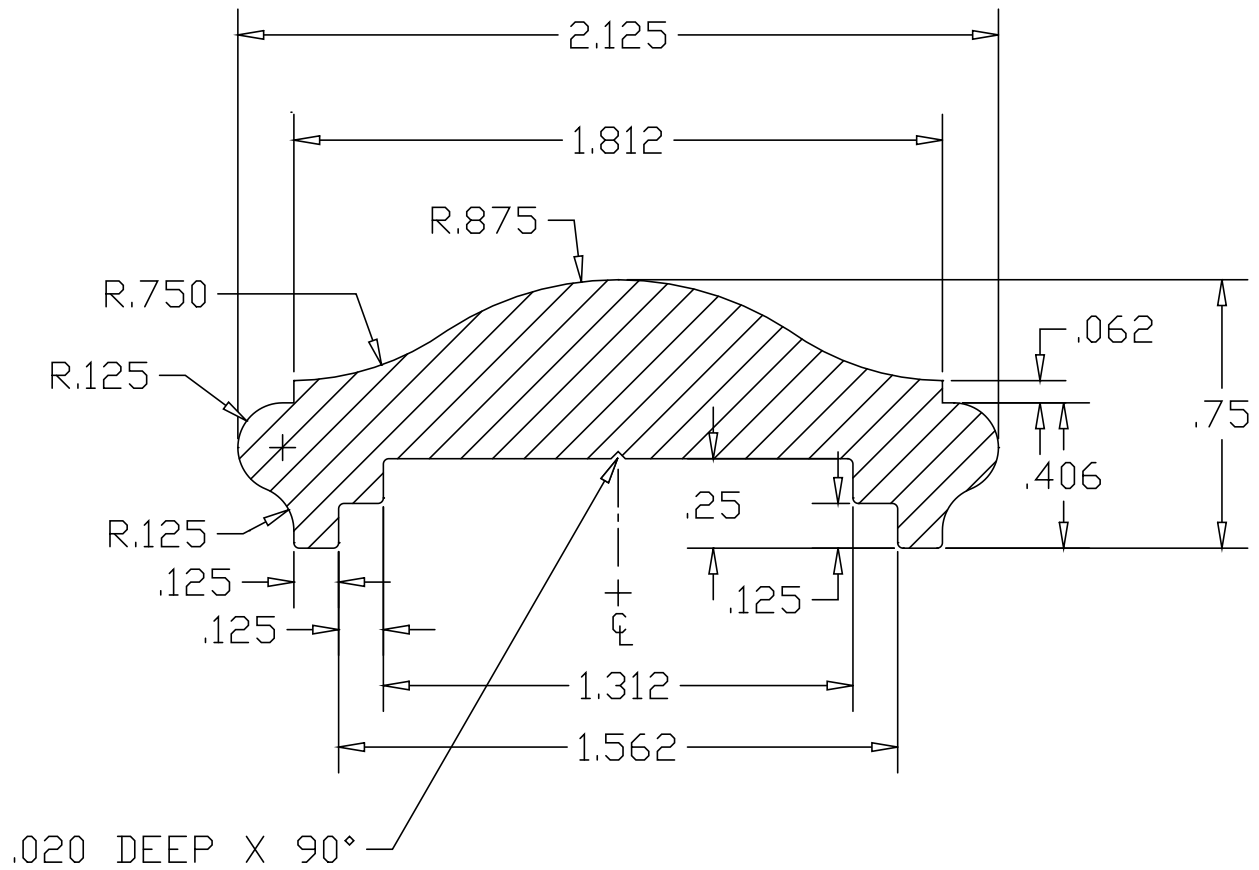


REV  
SH  
H2900  
DWG NO


REVISIONS			
REV	DESCRIPTION	DATE	APPROVED



BREAK SHARP CORNERS .015R

UNLESS OTHERWISE SPECIFIED DIMENSIONS ON THIS DRAWING ARE SUBJECT TO THE FOLLOWING TOLERANCES:

X.X = .100  
 X.XX = .030  
 X.XXX = .010

PART NAME		EXTRUDED ALUMINUM HANDRAIL	
MATERIAL		6063-T52 ALUMINUM	
DATE	11/14/07	 <b>THE WAGNER COMPANIES</b> R & B WAGNER, INC. AND J. G. BRAUN CO.	REV
DRAWN BY	RJF		
FINISH	MILL	SIZE	WEIGHT
		A	.986 LBS/FT
		PART NUMBER	H2900