

REV

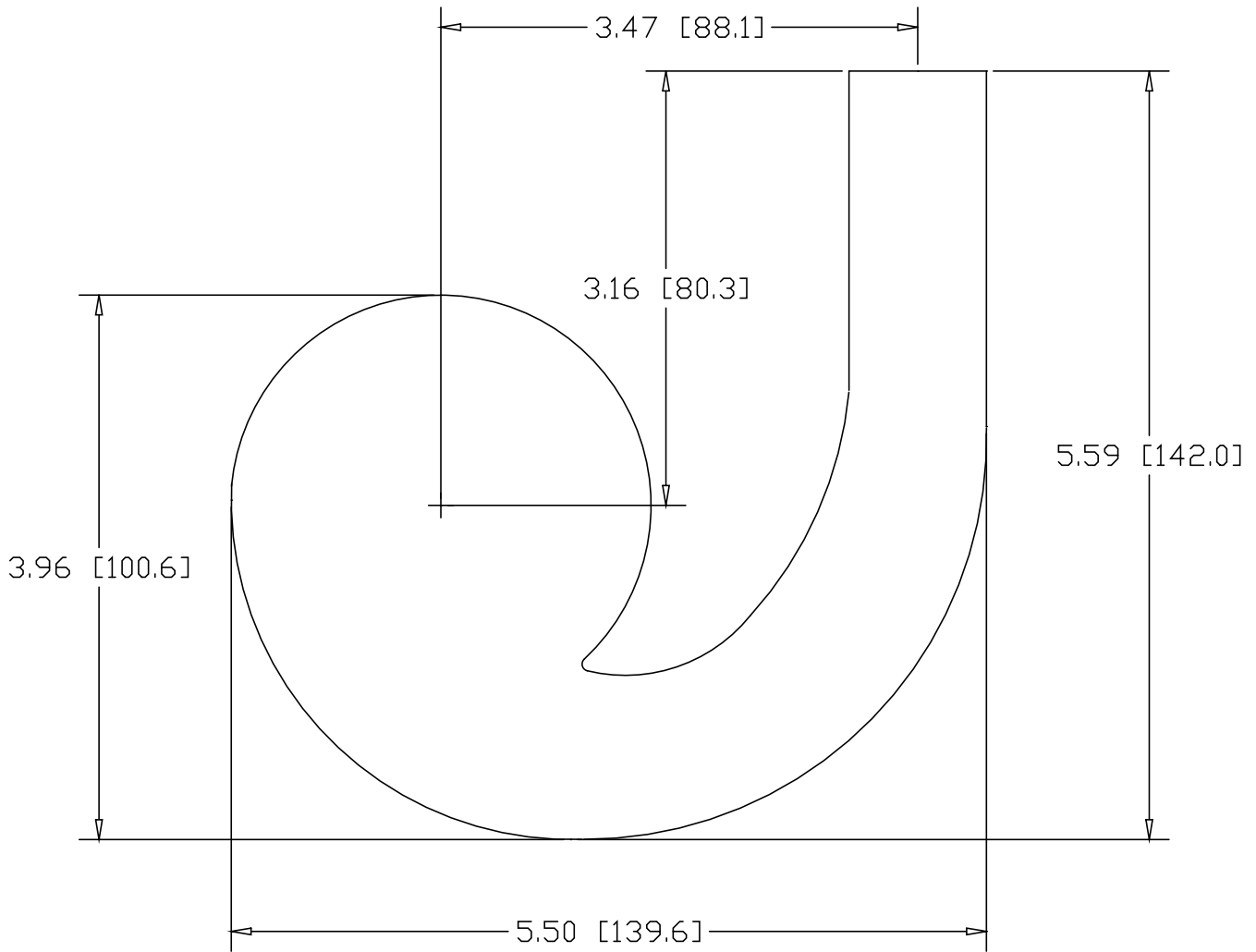
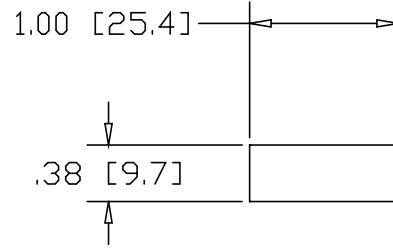
SH

DWG NO H1248D


DWG NO

REVISIONS

REV	DESCRIPTION	DATE	APPROVED
-----	-------------	------	----------



INCHES [MILLIMETERS]

PART NAME		JUNIOR LATERAL BAR SCROLL				
MATERIAL		MALLEABLE IRON ASTM A47				
DATE	8/22/03		THE WAGNER COMPANIES R & B WAGNER, INC. AND J. G. BRAUN CO.			
DRAWN BY	RJF					
FINISH	AS-CAST					
SIZE	A	WEIGHT	1.48 LBS	PART NUMBER	H1248D	REV