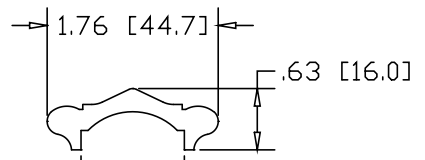
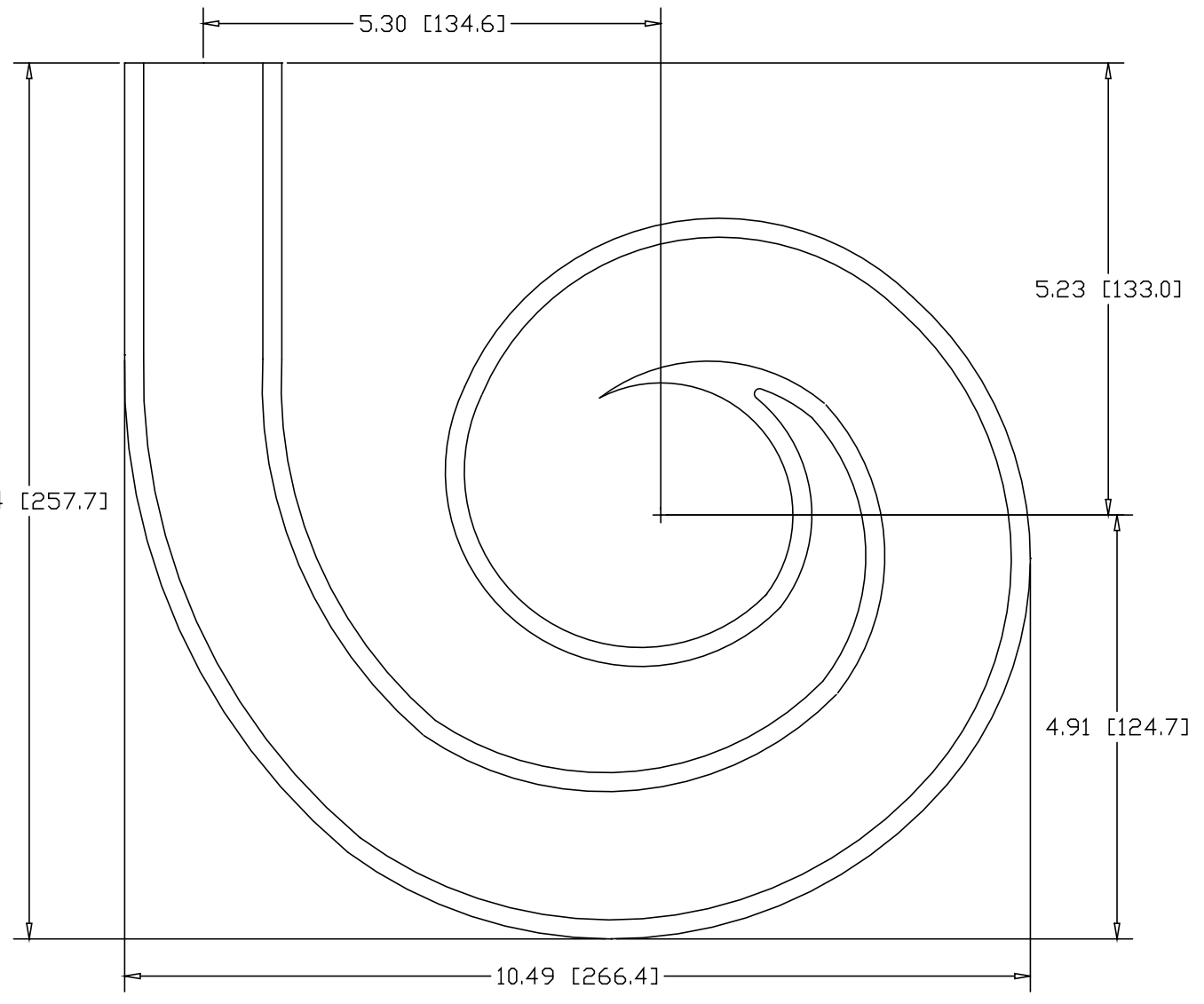



REV
SH
DWG NO H1248AR

REVISIONS			
REV	DESCRIPTION	DATE	APPROVED



INCHES [MILLIMETERS]

PART NAME		SENIOR LATERAL SCROLL, RIGHT HAND					
MATERIAL		MALLEABLE IRON ASTM A47					
DATE	01/29/09	 THE WAGNER COMPANIES R & B WAGNER, INC. AND J. G. BRAUN CO.					
DRAWN BY	RJF						
FINISH	AS-CAST						
SIZE	A	WEIGHT	3.64 LBS	PART NUMBER	H1248AR	REV	