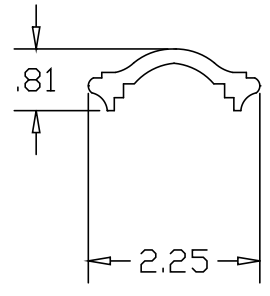
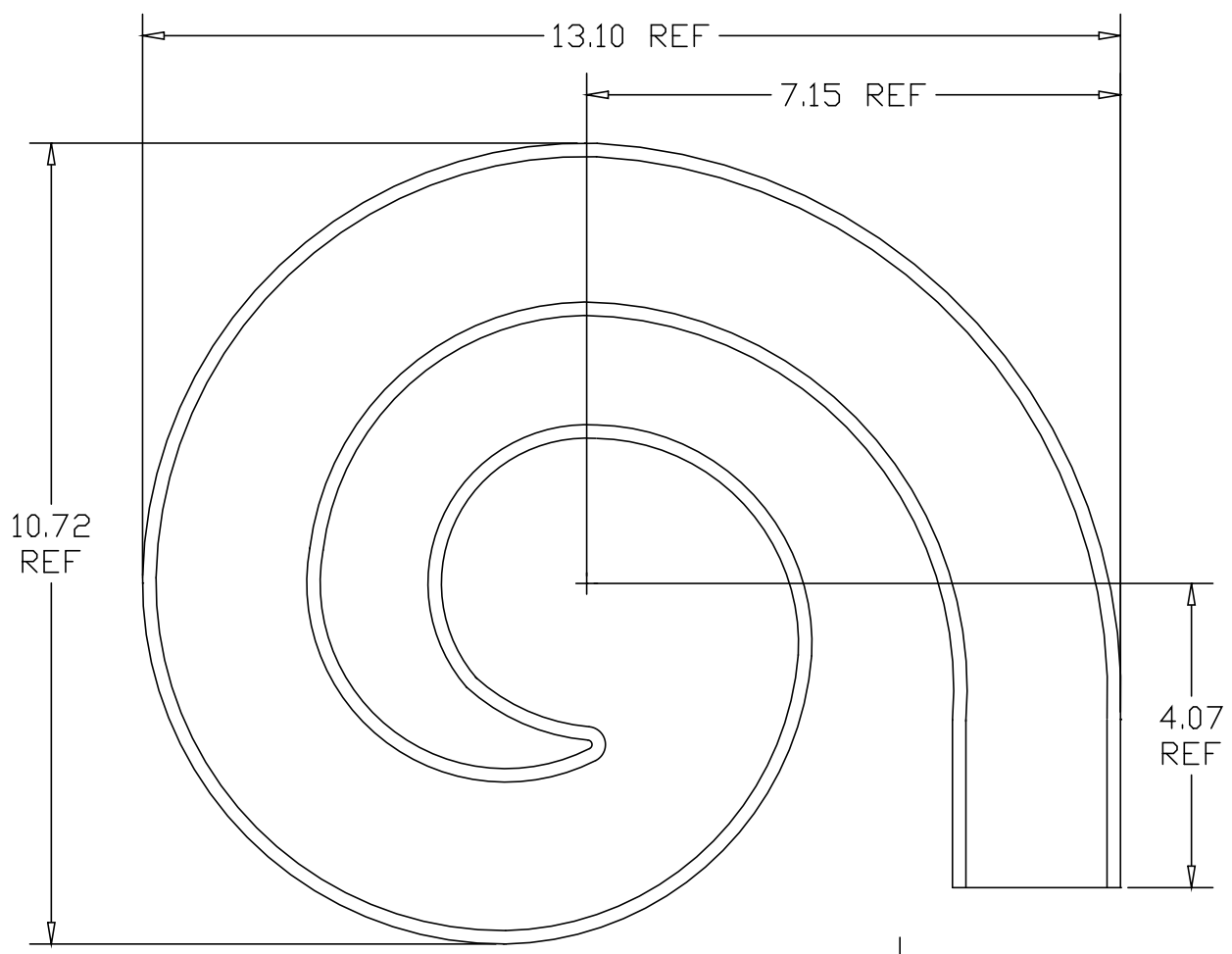


REV  
SH  
DWG NO H1244AR

REVISIONS			
REV	DESCRIPTION	DATE	APPROVED



PART NAME SENIOR LATERAL SCROLL, RIGHT HAND			
MATERIAL MALLEABLE IRON ASTM A47			
DATE 5/19/03		THE WAGNER COMPANIES R & B WAGNER, INC. AND J. G. BRAUN CO.	
DRAWN BY RJF			
FINISH AS-CAST			
SIZE A	WEIGHT 6.4 LBS	PART NUMBER H1244AR	REV