

## TEST SAMPLE DESCRIPTION

Wagner Part Number: GRP5045T

### 1.1 General

Product Code/Name	P5045T-12
Test Requirements	STRUCTURAL PERFORMANCE (A) E2353-16 E2358-17
Date of Test	19/09/2019

### 1.2 Barrier/Glass

Glass Make Up	12mm Toughened Glass
Glass Panel Size	Height - 1300mm Width - 1200mm
Overall Size	Height - 1300mm Width - 1200mm
Handrail Used	No Handrail

### 1.3 Stand-off Pin System: P5045T

Material	Stainless Steel 2205 Duplex
Overall Size	50mmD x 45mmW
Drawing Supplied	Yes
Fixing Method	M10 316 stainless steel bolt

# PRODUCT TEST REPORT

Wagner Part Number: GRP5045T

PTY LTD

DATE: 18/09/2019		PRODUCT NUMBER: P5045T	HAND RAIL TYPE: N/A
GLASS TYPE	12mm Toughened Glass		
GLASS SIZE	1300mmHx1200mmW		
TEST METHOD	Concentrated, Uniform, Infill, loading applied with hydraulic ram		
FIXING TYPE, CENTRES	220mm in from each and one set in the centre of the panel		
TEMPERATURE	20.7°C	Pin spacings 120mm apart	
HUMIDITY	58%		

## RESULTS

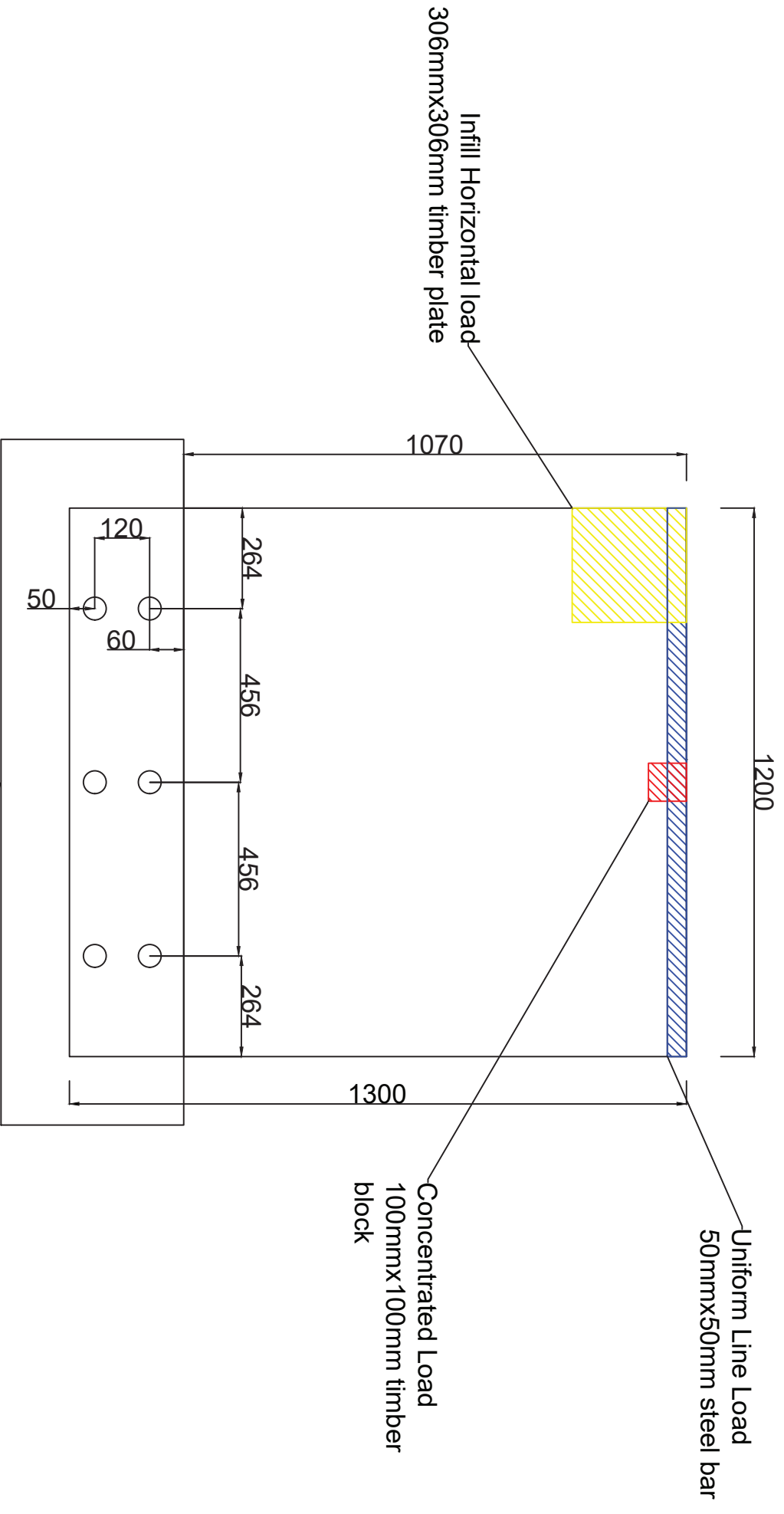
Type	Structural Performance	Deflection	Residual	Time U/L
I-III	Concentrated Load on Rail: 890N Uniform Linear Load on Rail: 290N/m Infill Horizontal Load: 220N			
I-IV	Concentrated Load on Rail: 890N Uniform Linear Load on Rail: 730N/m Infill Horizontal Load: 220N			
I-V	Concentrated Load on Rail: 1330N Uniform Linear Load on Rail: 730N/m Infill Horizontal Load: 220N			
I-VI	Concentrated Load on Rail: 1620N Uniform Linear Load on Rail: 880N/m Infill Horizontal Load: 220N	77.3mm		10sec
		45.94mm	0.48mm	60sec
		8mm	0mm	60sec

Notes:

The Uniform Linear Load was multiplied by 1.2 as we tested with a 1200mm wide panel of glass.

The total loading for this test was 880N x 1.2 = 1056N

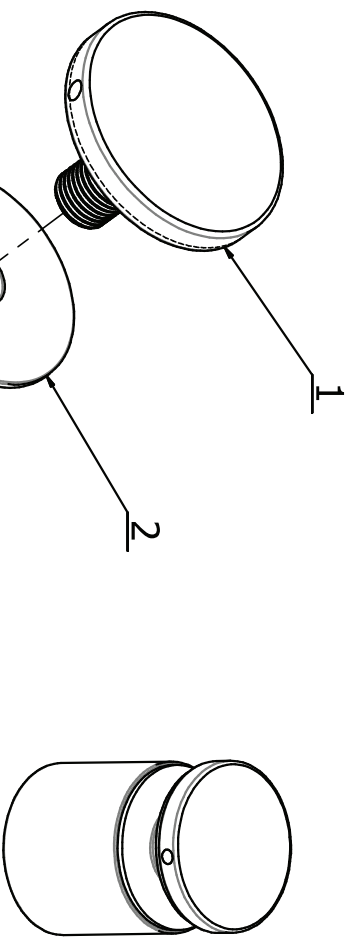
**Concentrated Load: The panel blew up after 10 second hold at 1620N**



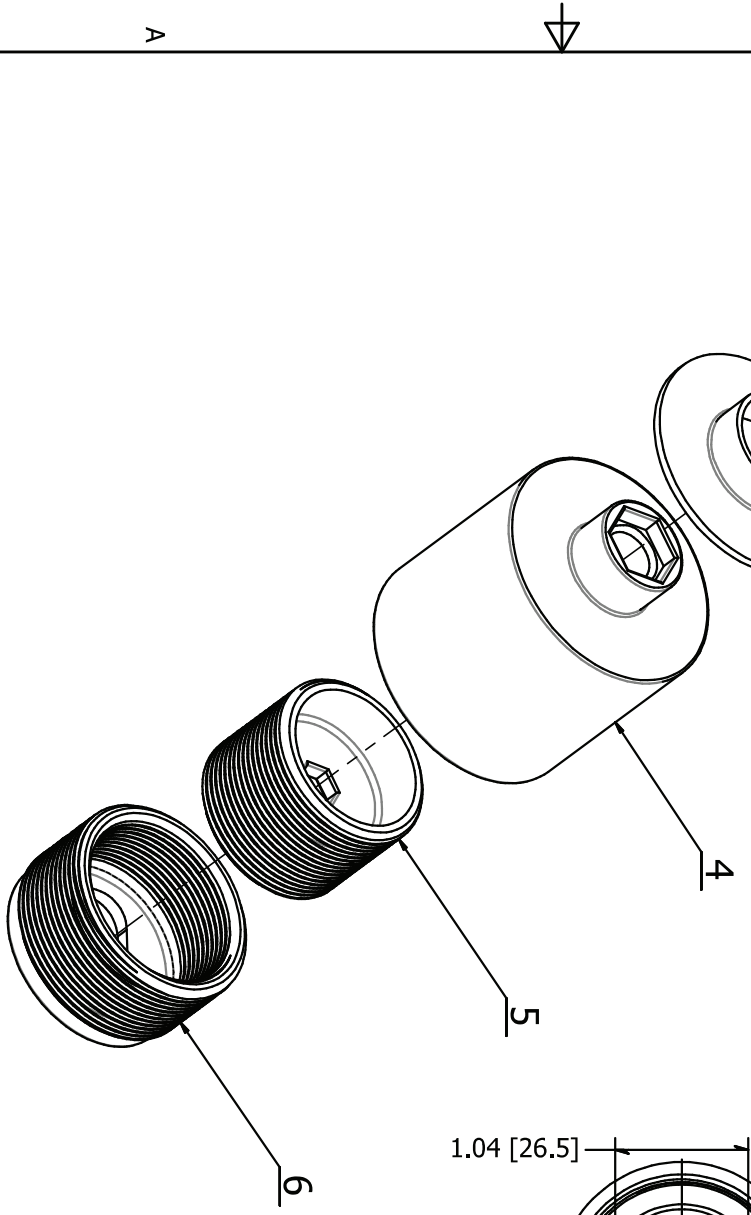
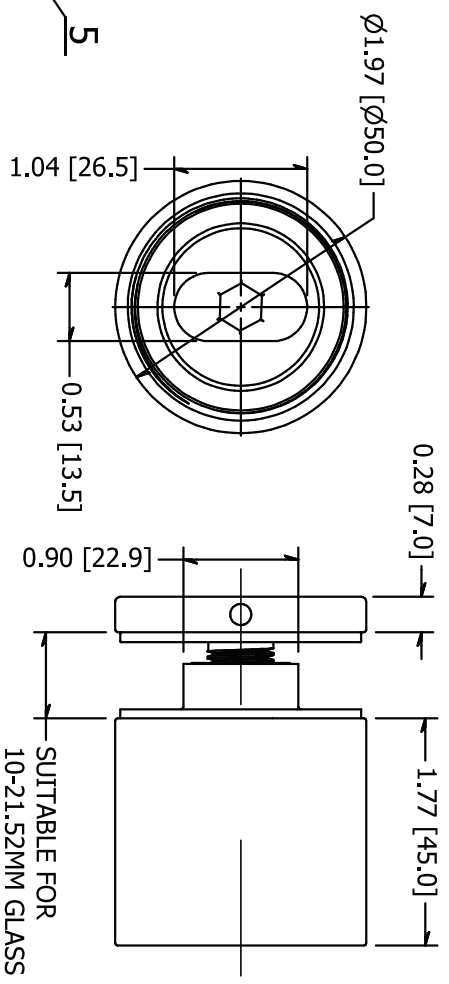
Part no: P5045      Glass Type: 12mm Toughened Glass

Material: 2205 Duplex

Fasteners used for testing: Hi-Tensile M12 bolts



BILL OF MATERIALS			
ITEM	PART NO.	DESCRIPTION	QTY.
1	P5035-06	BUTTON	1
2	D50-H30N-4	GLASS ISOLATOR	1
3	P5035-04	GLASS ISOLATOR	1
4	P5045-01	STANDOFF BODY	1
5	P5045-02	LOCKING NUT	1
6	P5035-02	WALL MOUNT	1



MATERIAL:	2205 SSTL	DESCRIPTION:	Stand Off Pin, For 10-21.52mm Glass, 50MM Diameter, M12*28mm
FINISH:	#4	DATE:	11/11/2019
WEIGHT:		ITEM NUMBER:	GRP5045T


**WAGNER**™  
 ARCHITECTURAL SYSTEMS    10600 W Brown Deer Rd  
 Milwaukee, WI 53224  
<http://www.wagnercompanies.com/>