

TEST SAMPLE DESCRIPTION

Wagner Part Number: GRBR8OTAL1017

1.1 General

Product Code/Name	BR80-12
Test Requirements	STRUCTURAL PERFORMANCE (A) E2353-16 E2358-17
Date of Test	19/09/2019

1.2 Barrier/Glass

Glass Make Up	12mm Toughened Glass
Glass Panel Size	Height - 1100mm Width - 1200mm
Overall Size	Height - 1138mm Width - 1200mm
Handrail Used	No Handrail
Glass Grips/Clamping Plates	3 x Adjustable Rotating Clamping plates

1.3 Channel System: BR80 with 3 Adjustable Clamping Plates

Material	Aluminum 6063 T6
Overall Size	98mm H x 80mm W x 1500mm L
Drawing Supplied	Yes
Fixing Method	M10 316, chemical fixed treaded rods

PRODUCT TEST REPORT

Wagner Part Number: GRBR8OTAL1017

PTY LTD

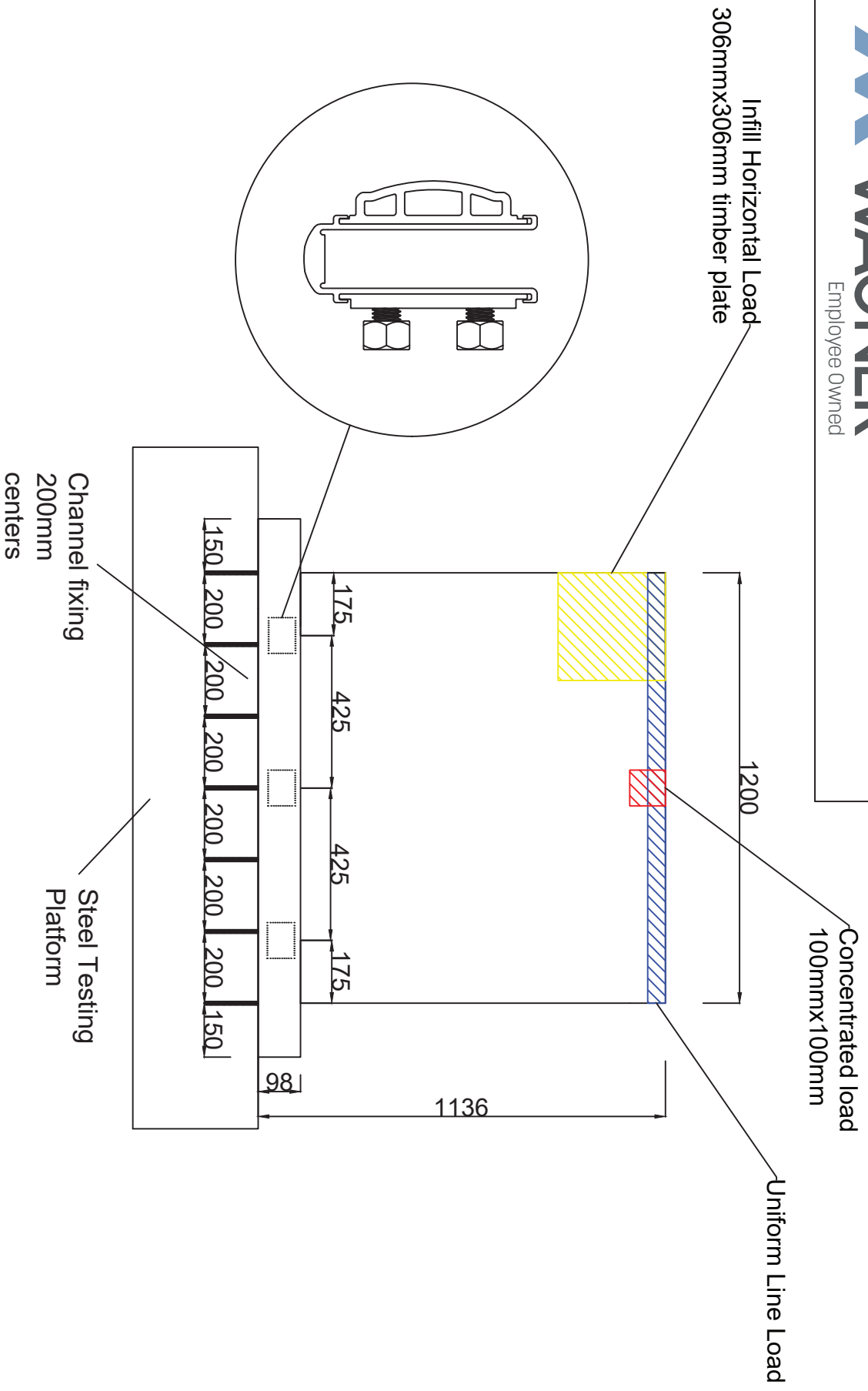
DATE: 18/09/2019		PRODUCT NUMBER: BR80	HAND RAIL TYPE: N/A
GLASS TYPE	12mm Toughened Glass		
GLASS SIZE	1100mmHx1200mmW		
TEST METHOD	Concentrated, Uniform, Infill, loading applied with hydraulic ram		
FIXING TYPE, CENTRES	Channel fixed 200mm centres bolted to steel platform m10 bolts		
TEMPERATURE	20.6°C	Rotating Plates 175mm in from each end and one in the centre	
HUMIDITY	59%		

RESULTS

Type	Structural Performance	Deflection	Residual	Time U/L
I-III	Concentrated Load on Rail: 890N Uniform Linear Load on Rail: 290N/m Infill Horizontal Load: 220N			
I-IV	Concentrated Load on Rail: 890N Uniform Linear Load on Rail: 730N/m Infill Horizontal Load: 220N			
I-V	Concentrated Load on Rail: 1330N Uniform Linear Load on Rail: 730N/m Infill Horizontal Load: 220N	70.75mm	3.41mm	60sec
		43.18mm	2.65mm	60sec
		9.8mm	0mm	60sec
I-VI	Concentrated Load on Rail: 1620N Uniform Linear Load on Rail: 880N/m Infill Horizontal Load: 220N			

Notes:

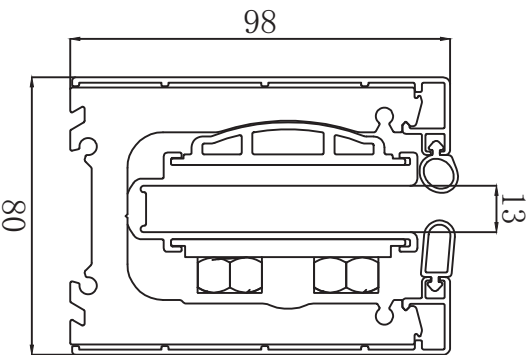
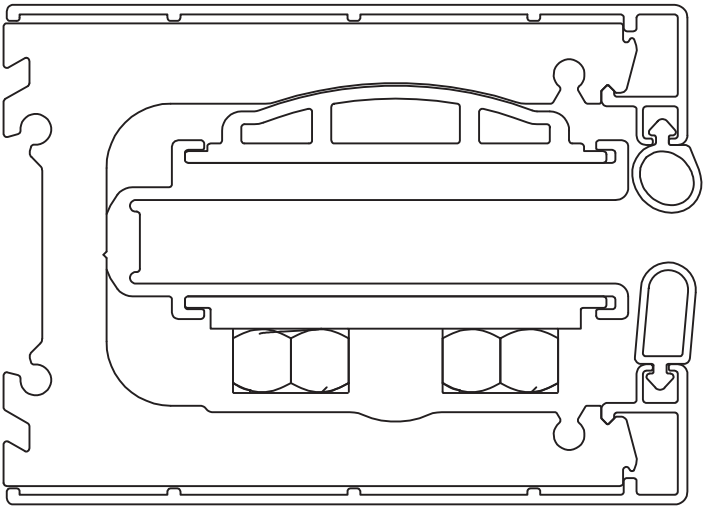
The Uniform Linear Load was multiplied by 1.2 as we tested with a 1200mm wide panel of glass.
 The total loading for this test was 730N x 1.2 = 876N





Part no: BR80 Glass Type: 12mm Toughened Glass

Material: Aluminum Scale:

Fasteners used for testing: Hi Tensile M10 bolts



A		6		5		4		3		2		1		A	
B		C		D		B		C		D		B		C	
 WAGNER Employee Owned		Drawing Spec.	A4	WEIGHT (KG)		Drawn by	Michael	Drawn NO.	BR80 channel with 12-13.52mm glass						
Projection		Date	19-08-01	Auditing by											
Version No.	F01	RE Date		Approved by											
6		5		4		3		2		1		A		A	