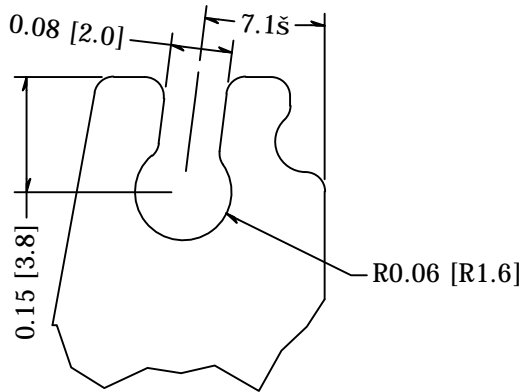
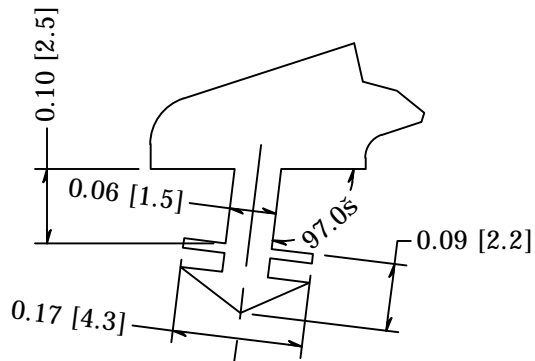


2

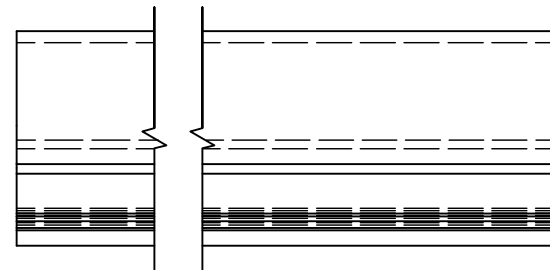
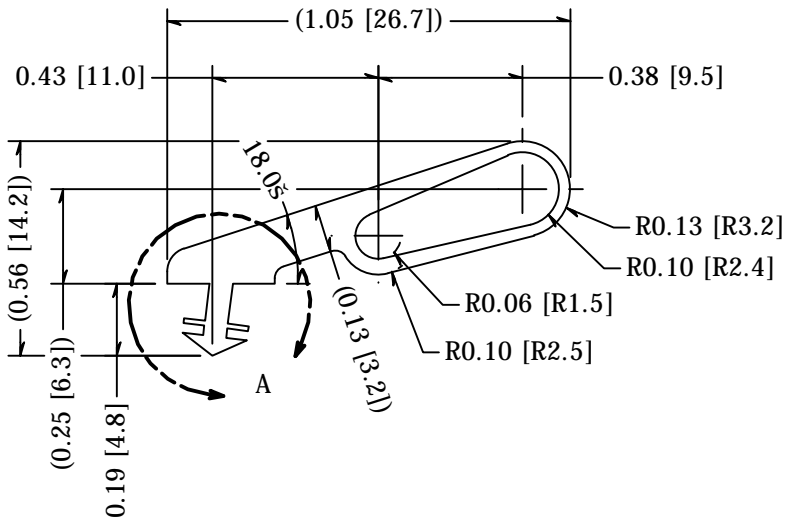
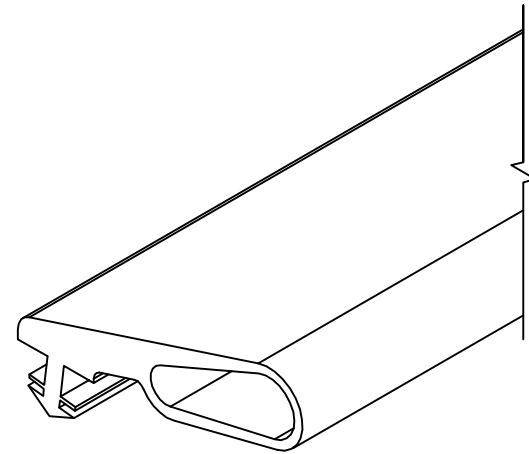
1



**DART MATING FEATURE**  
EXTRUDED ALUMINUM



**DETAIL A**  
"DART"



Part Number	Cut Length
GR9LL1056-20	20FT
GR9LL1056-40	40FT
GR9LL1056-100	100FT
GR9LL1056	250FT

TOLERANCE
X.XX +/- 0.01
X.XXX +/- 0.005
Angle +/- 0.5
Unless Otherwise Specified

CUT LENGTH:	FINISH:
DEVELOPED LENGTH:	WEIGHT:
TOOL NUMBER:	

DESCRIPTION:	GASKET, RUBBER, LEVEL LOCK +, GASKET W/O CLADDING, 1.0" X 0.56", BLACK	
MATERIAL:	z-Rubber	MATERIAL DESC:
DATE:	9/10/2020	REV:
DRAWN BY:	A. Seeboth	
PART NUMBER:	GR9LL1056	


**WAGNER**™  
 10600 W Brown Deer Rd  
 Milwaukee, WI 53224  
 COLLABORATIVE METALWORKS <http://www.wagnercompanies.com/>

2

1