

REV

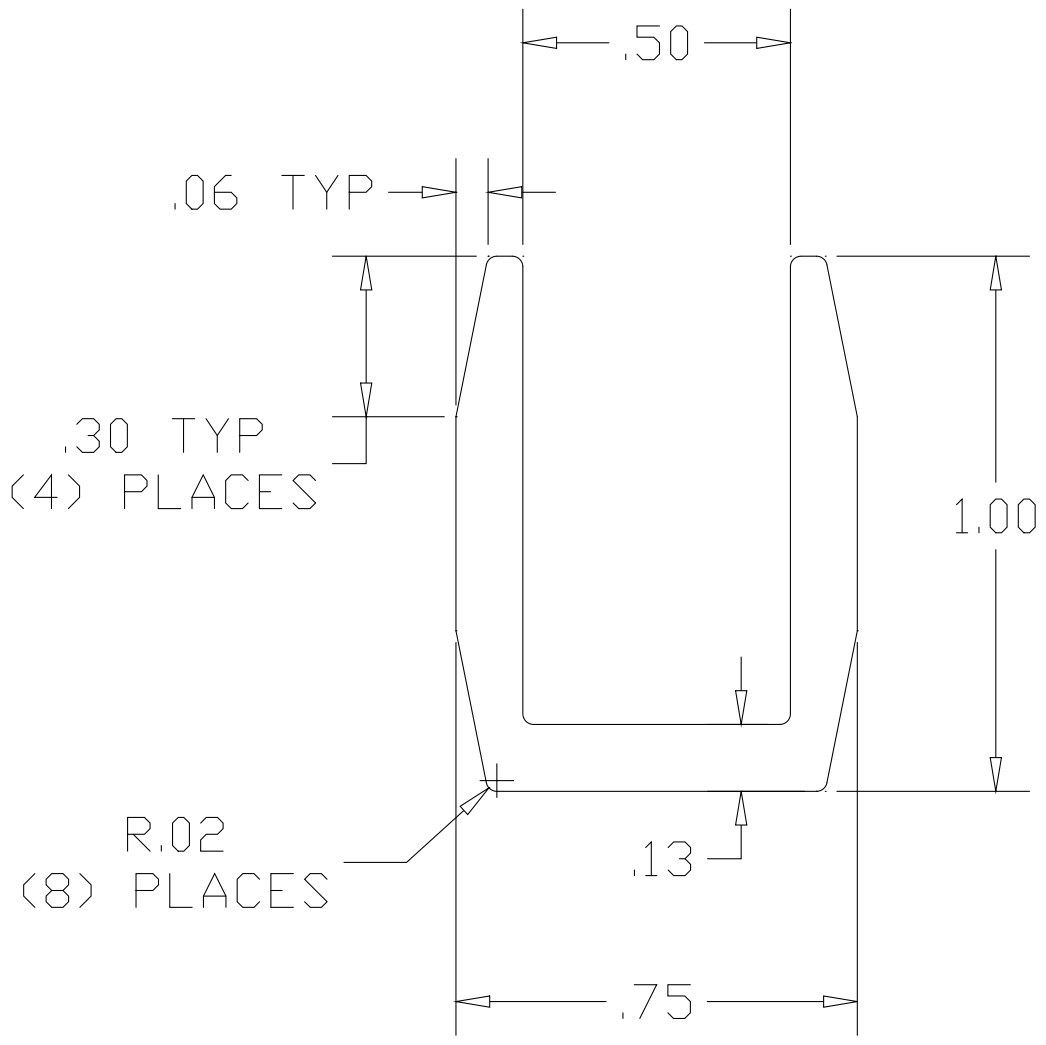
SH


DWG NO GR9397

REV

REVISIONS

REV	DESCRIPTION	DATE	APPROVED
-----	-------------	------	----------



PART NAME		PROTECTIVE INSERT FOR .50" PANELS		
MATERIAL		90 DUROMETER EPDM		
DATE	02/26/07	 THE WAGNER COMPANIES R & B WAGNER, INC. AND J. G. BRAUN CO.		
DRAWN BY	RJF			
FINISH	BLACK	SIZE	WEIGHT	PART NUMBER
		A		GR9397
				REV