

COMPOUND CERTIFICATION

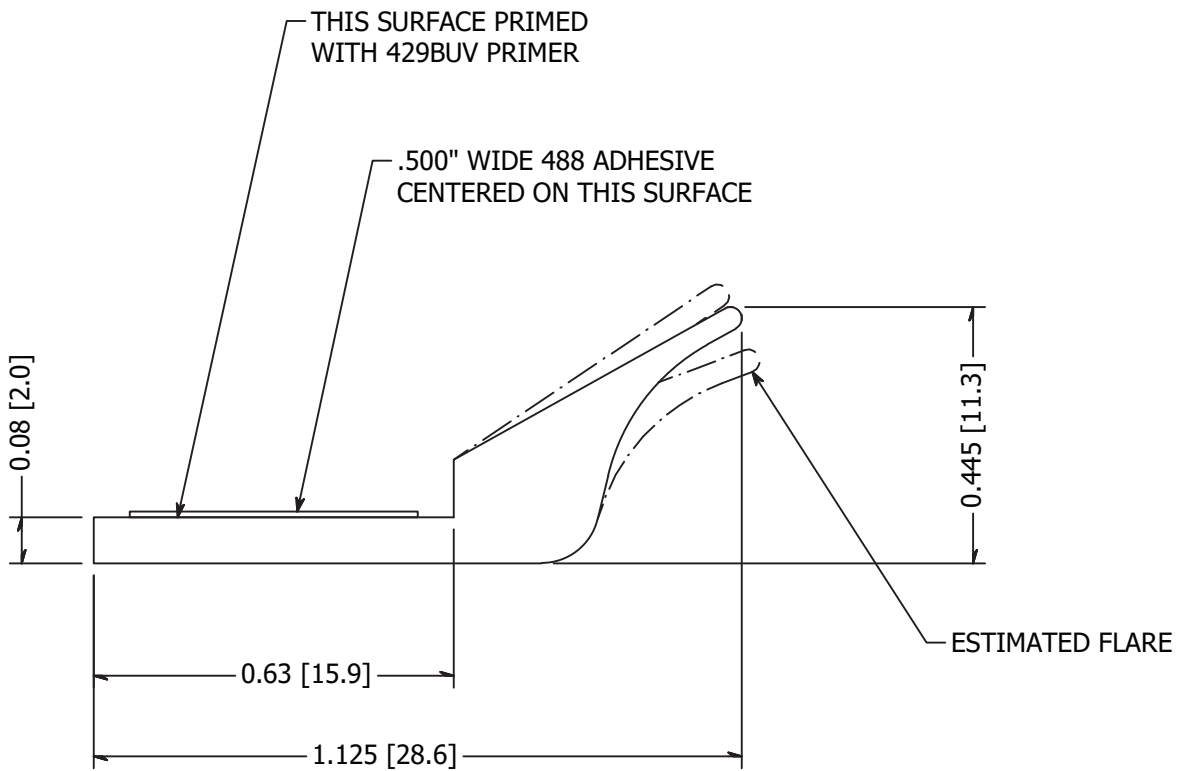
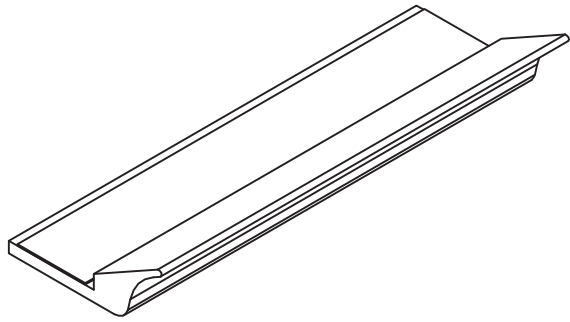
Wagner Part Number: GR9302


Compound Identification: BD-0-6349
 Specification: ASTM D 2000 M1AA 608
 Polymer: EPDM
 Color: Black
 Date Approved: 1/17/2020

*The below tests are performed on standard ASTM slabs and buttons.
 Tests results will vary depending on the cross-sectional area of the profile.*

Physical Property	Units	Test Method	Specification	Actual	Pass/Fail
Durometer, Shore A	pts.	ASTM D 2240	60 ± 5	63	Pass
Tensile	psi	ASTM D 412	1160 min.	1342	Pass
Elongation	%	ASTM D 412	300 min.	574	Pass
Heat Aging 70h/70°C		ASTM D 573			
Change in hardness	pts.		± 15	4	Pass
Change in tensile	%		± 30	-8.0	Pass
Change in elongation	%		-50 max.	20.6	Pass
Compression Set 22h/ 70°C 0.5h recovery	%	ASTM D 395	50 max.	21	Pass

REVISION HISTORY				
ZONE	REV	DESCRIPTION	DATE	APPROVED
	-	INITAL RELEASE	2/12/2010	
	1	REVISED OVERALL WIDTH, REDRAWN IN CAD	1/8/2019	



MATERIAL: EPDM, 60D	DESCRIPTION: GASKET, EPDM, 60 DUOMETER, ADHESIVE		
FINISH:	DATE: 1/8/2019	SCALE: 3 : 1	REV: 1
WEIGHT: N/A	ITEM NUMBER: GR9302		 WAGNER Employee Owned