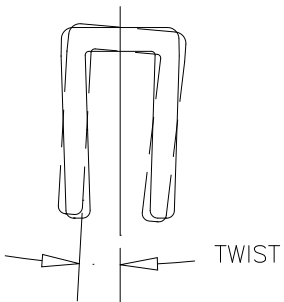
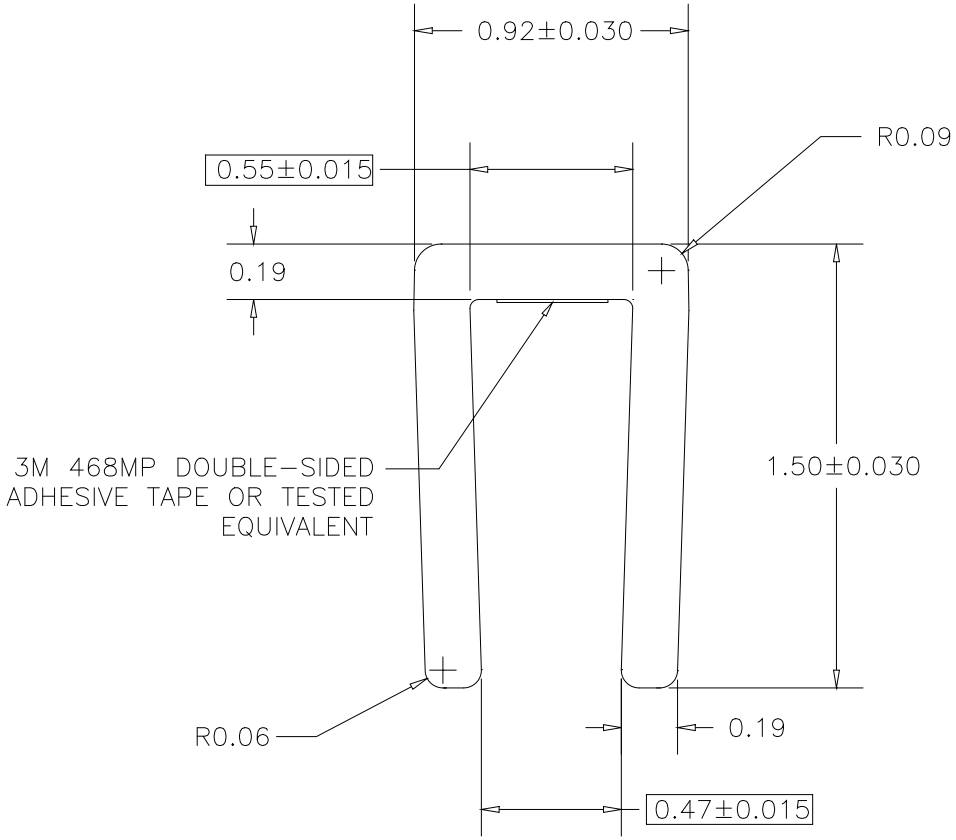



REV 1
SH
DWG NO GR90915

REVISIONS			
REV	DESCRIPTION	DATE	APPROVED
1	RELEASED (FROM EXP125)	03/20/10	PWH



NOTE: MAXIMUM ALLOWABLE TWIST
0.5° PER FOOT WITH MAXIMUM 5.0° PER LENGTH

BOX INDICATES CRITICAL DIMENSION

PART NAME		CAPRAIL-RECTANGULAR CHANNEL	
MATERIAL		POLYCARBONATE-EXTRUDED-CLEAR	
DATE	10/30/09	 THE WAGNER COMPANIES R & B WAGNER, INC. AND J. G. BRAUN CO.	PART NUMBER
DRAWN BY	ACN		
FINISH	AS EXTRUDED	SIZE	WEIGHT
		A	.394/FT
		PART NUMBER	
		GR90915	
			REV
			1