

2



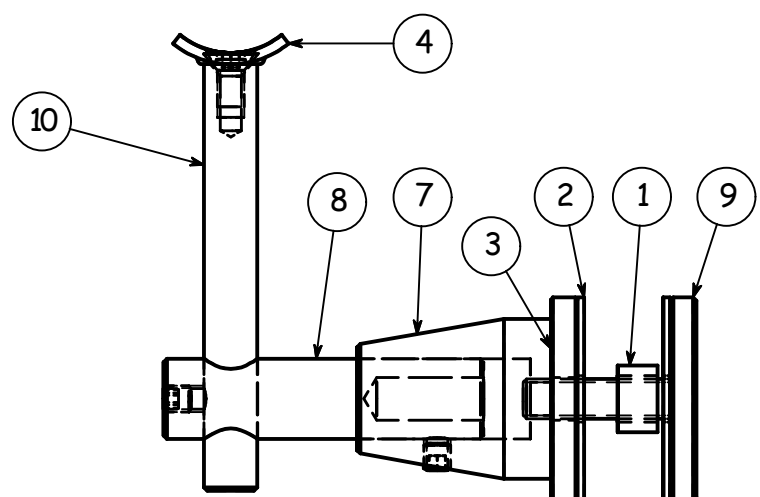
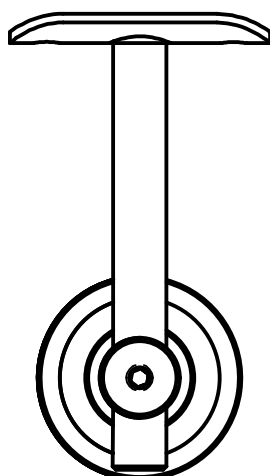
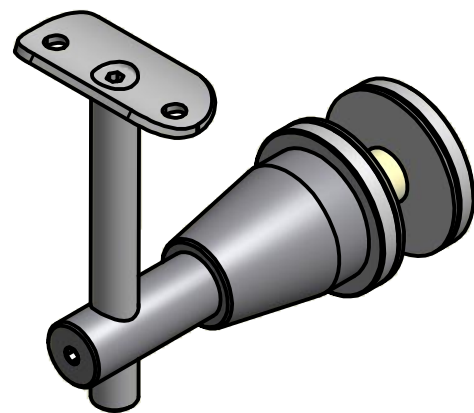
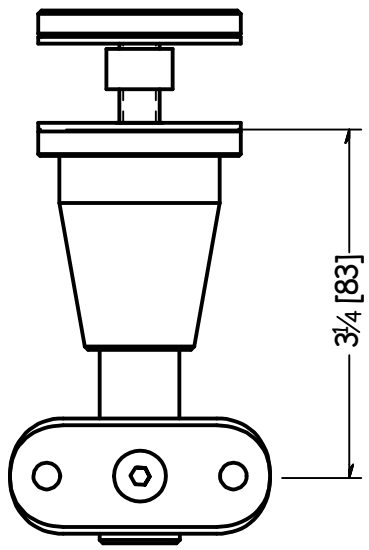
1

PARTS LIST

ITEM	QTY	PART NUMBER	DESCRIPTION
1	1	GB4381G	SPACER NYLON .63 OD X .095W X .375 LG FOR GLASS MT BRACKET
2	2	GB4368F	1.9 NYLON GASKET
3	1	WR3900D	HANDRAIL, BRACKET WALL MOUNT DISK, 1.9 in
4	1	S103	BRACKET SADDLE SS 2.50 1.00 W/HOLE 304
5	1	FPH3N2520-0050	SCREW SS 1/4-20 X .50 FLAT PHILLIPS HEAD
6	2	SAP3N2520-0025	SCREW SS 1/4-20 X .25 SKT HEAD SET SCREW
7	1	GR3166SFHUB	BRACKET SLIP FIT HUB SS
8	1	WR3166SFHARM	BRACKET SLIP FIT HORIZONTAL POST SS
9	1	GB4387HS.75	DISK SS 1.90 .25 #4 W/.38 STUD FOR GLASS BRKT BACKING DISK
10	1	WR31050ST	SADDLE STEM, 1/2" OD NO SWIVEL-1/4-20 TAPPED HOLE

B

B



A

A

CUT LENGTH:		DESCRIPTION: ASSY, HANDRAIL BRACKET GLASS MOUNT					
DEVELOPED LENGTH:		MATERIAL:		MATERIAL DESC:			
TOOL NUMBER:		DATE: 7/9/2010		THE WAGNER COMPANIES R & B WAGNER, INC. AND J. G. BRAUN CO.			
		DRAWN BY: kturdo					
		FINISH: #4 SATIN		SIZE: A	WEIGHT: N/A	PART NUMBER: GR3900	REV: 1

2



1