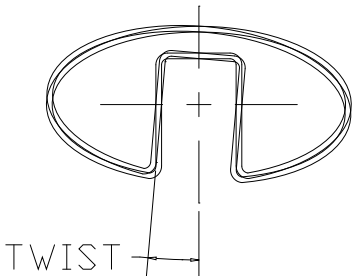
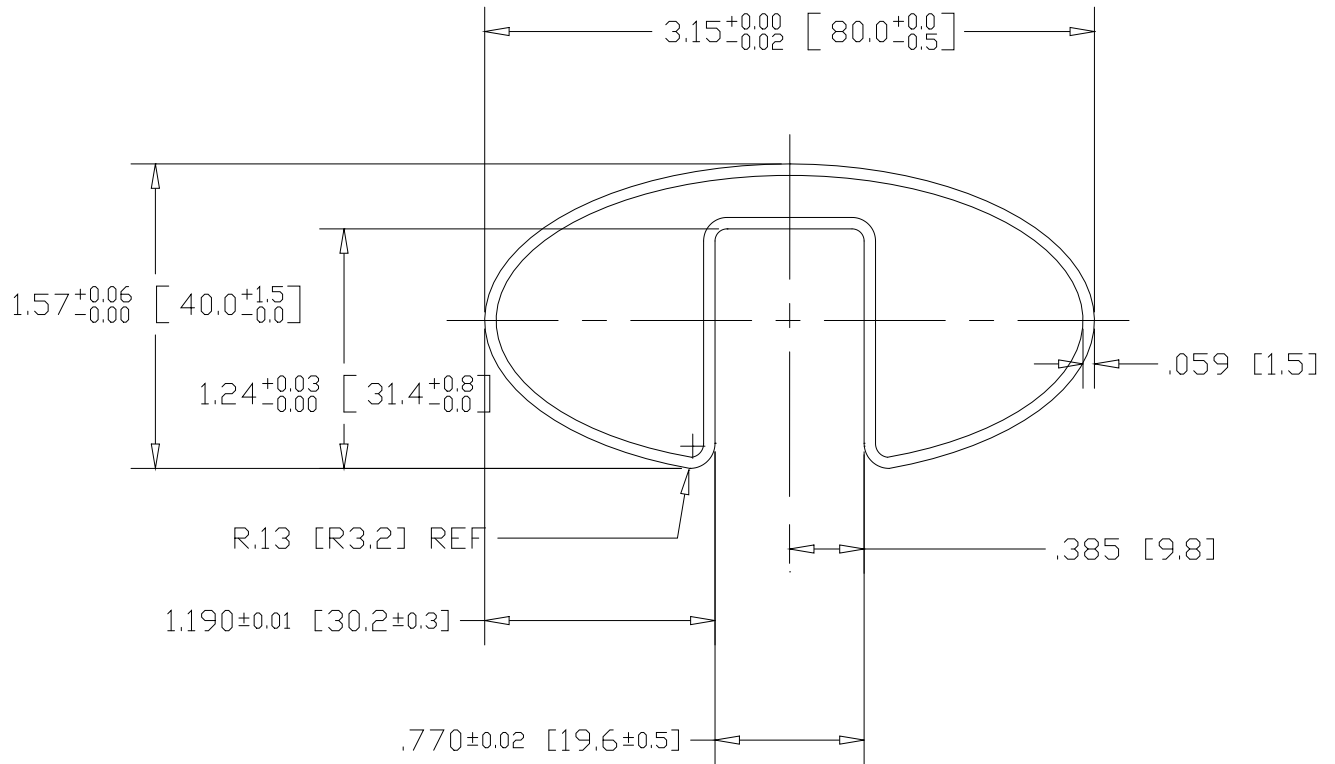



REV 1
SH
DWG NO GR3315

REVISIONS			
REV	DESCRIPTION	DATE	APPROVED
1	RELEASED FROM EXP148	06/25/10	PWH



NOTE: MAXIMUM ALLOWABLE TWIST
0.5° PER FOOT WITH MAXIMUM 5.0° PER LENGTH

INCHES [MILLIMETERS]

PART NAME		3.15 X 1.58 OVAL CAPRAIL	
MATERIAL		304 STAINLESS STEEL	
DATE	06/25/10		THE WAGNER COMPANIES R & B WAGNER, INC. AND J. G. BRAUN CO.
DRAWN BY	PWH		
FINISH	MILL	SIZE	A
		WEIGHT	
		PART NUMBER	GR3315
		REV	1